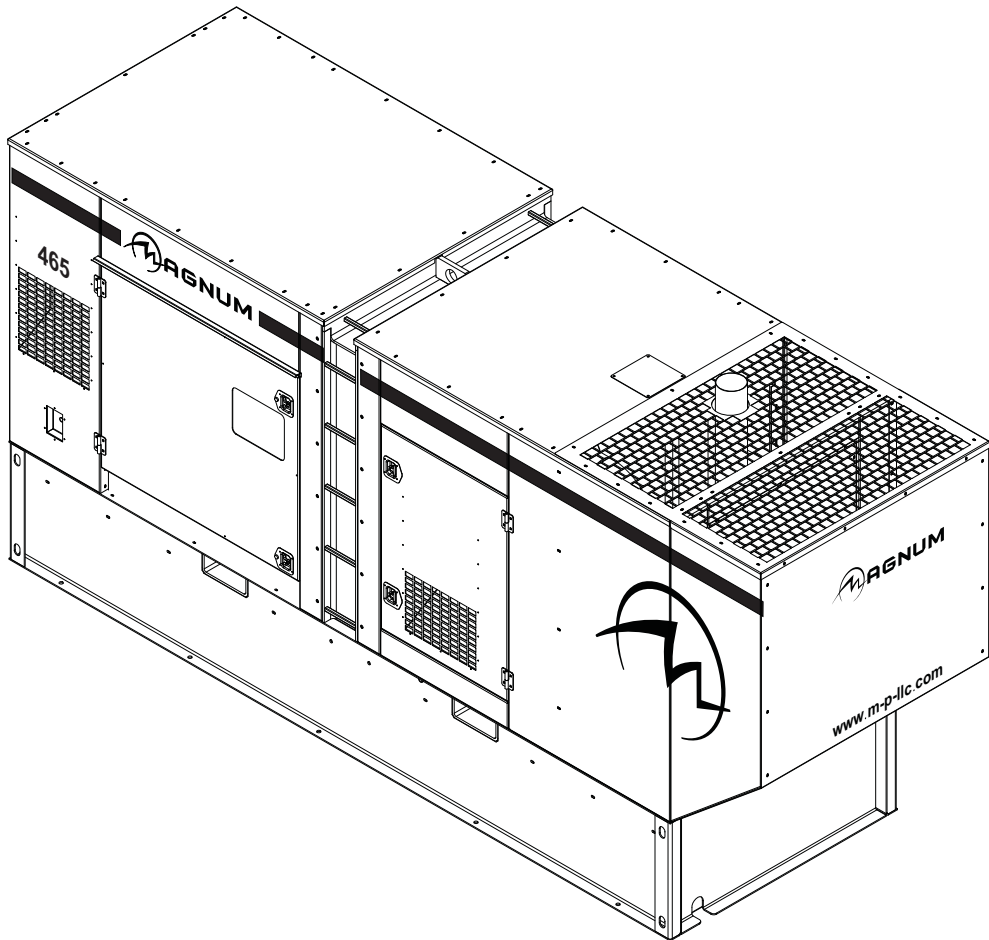




DIESEL GENERATOR
MMG465D



PARTS MANUAL

INTRODUCTION

Before servicing this machine, make sure the engine start switch is turned to off "O", the circuit breakers are open (off, "O"), the emergency stop switch is closed (pushed in), and the negative (-) terminal on battery is disconnected. Attach a "DO NOT START" sign to the control panel. This will notify everyone that the unit is being serviced and will reduce the chance of someone inadvertently trying to start the unit. If the unit is connected to a remote start or transfer switch, make sure the remote switch is also off and tagged.

▲ WARNING

Before operating or servicing this equipment, read and understand the Magnum Operating Manual which was included with the unit when shipped from the factory. Failure to do so increases the risk of injury to yourself or others.

MAGNUM PRODUCTS LLC
215 Power Drive • Berlin, WI 54923
U.S.A.
Phone: 920-361-4442
FAX: 920-361-4416
Toll Free: 1-800-926-9768
www.m-p-llc.com

For technical or parts QUESTIONS, please contact Magnum Products' Customer Support or Technical Support team at 920-361-4442 or toll free at 1-800-926-9768. Please have your serial number available.

To ORDER SERVICE PARTS, please contact the dealer from which you purchased the unit, or call Magnum Products to locate a dealer in your area.

Engine Make: _____
Engine Serial Number: _____
Engine Model Number: _____
Generator Make: _____
Generator Model Number: _____
Generator Serial Number: _____
Unit Model Number: _____
Unit Serial Number: _____

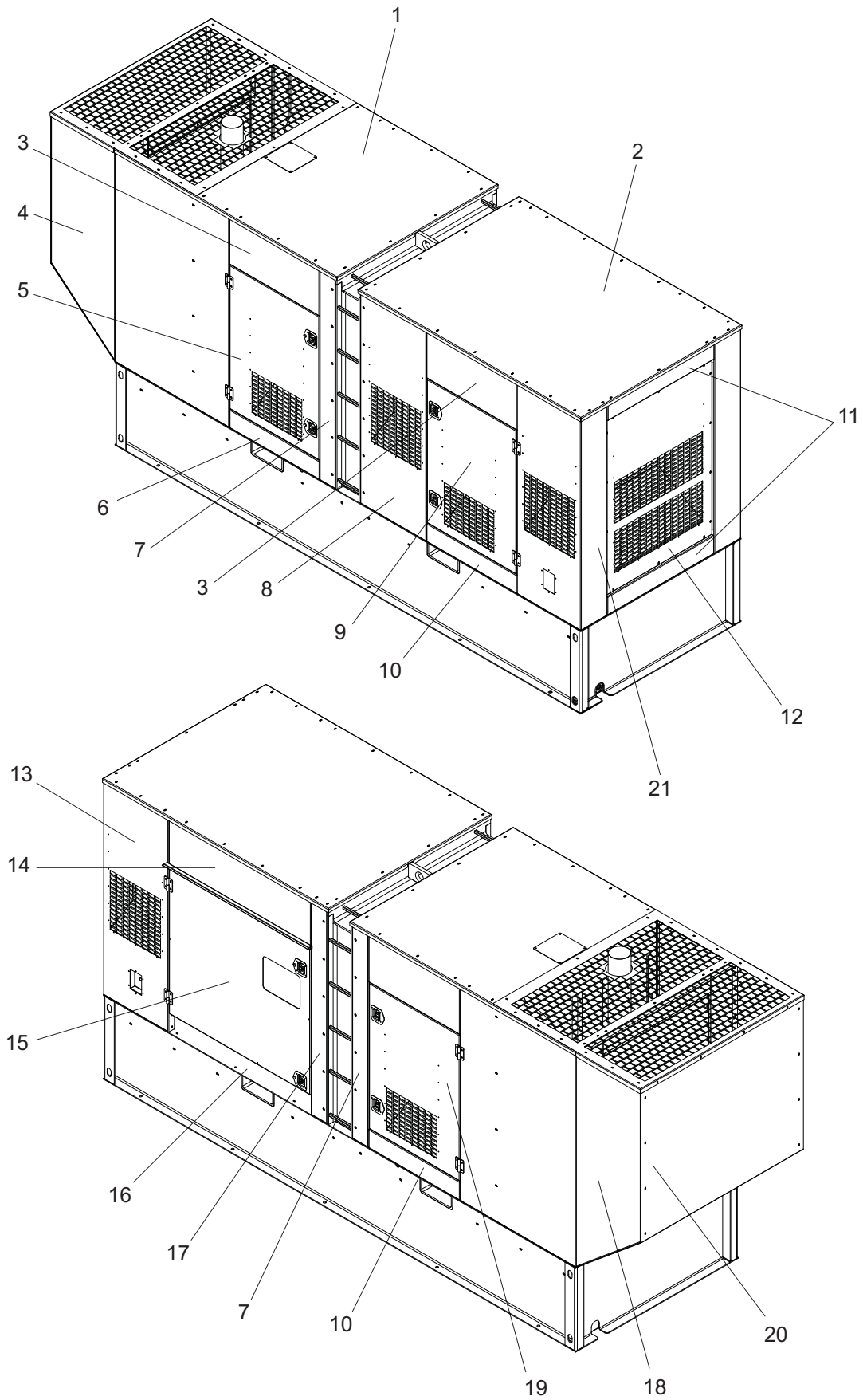
▲ WARNING

CALIFORNIA PROPOSITION 65 WARNING:
Diesel engine exhaust and some of its constituents are known to the state of California to cause cancer, birth defects and other reproductive harm.

TABLE OF CONTENTS

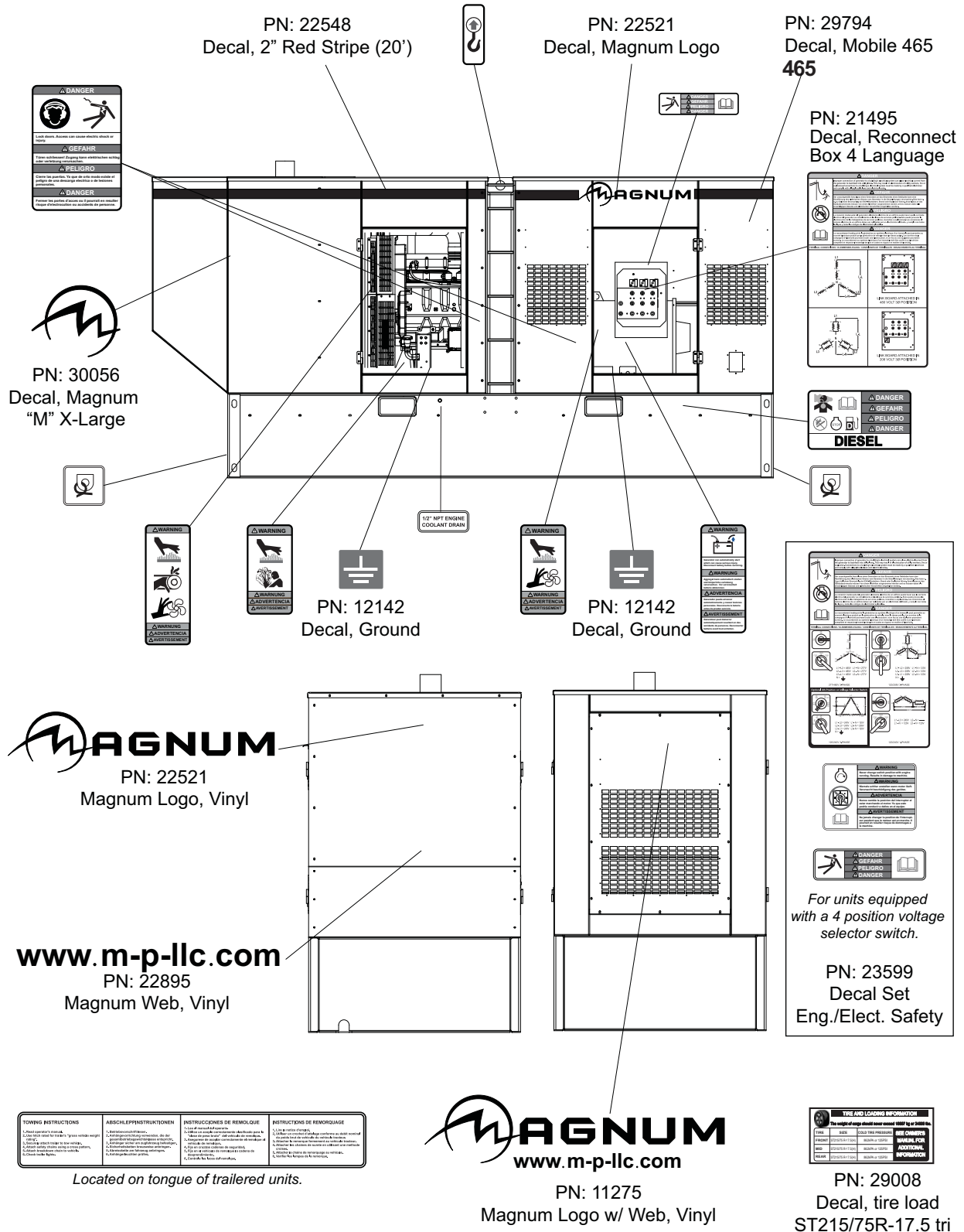
	Page
INTRODUCTION	2
TABLE OF CONTENTS.....	3
ENCLOSURE PANELS	4 - 5
UNIT DECALS	6 - 7
LUG BOX DOOR ASSEMBLY	8
LUG BOX ASSEMBLY	9
RIGHT CONTROL PANEL ASSEMBLY	10 - 11
CIRCUIT BREAKER PANEL ASSEMBLY	12
LUG PLATE ASSEMBLY	13
CONTROL BOX ASSEMBLY	14 - 15
MAIN CONTROL PANEL ASSEMBLY	16 - 17
RECONNECT AND SHORTING BOARD ASSEMBLY	18 - 19
RECONNECT BOX ASSEMBLY	20
EXHAUST SYSTEM ASSEMBLY	21
OIL VAPOR RECOVERY SYSTEM ASSEMBLY	22
FUEL TANK ASSEMBLY	23
FUEL TANK AND SKID ASSEMBLY	24 - 25
COOLING SYSTEM ASSEMBLY	26 - 27
GENERATOR ASSEMBLY	28 - 29
ENGINE ASSEMBLY	30 - 31
RADIATOR AND LIFT STRUCTURE ASSEMBLY	32 - 33
ENGINE TO SKID ASSEMBLY	34 - 35
ENGINE MOUNT ASSEMBLY	36
REAR PANEL ASSEMBLY	37
FRONT LEFT DOOR ASSEMBLY	38 - 39
CONTROL DOOR ASSEMBLY	40 - 41
RIGHT FRONT DOOR ASSEMBLY	42 - 43
LEFT REAR DOOR ASSEMBLY	44 - 45
LEFT REAR CORNER ASSEMBLY	46 - 47
RIGHT REAR CORNER ASSEMBLY	48 - 49
LEFT FRONT CORNER ASSEMBLY	50
RIGHT FRONT CORNER ASSEMBLY	51
CENTER SIDE PANEL ASSEMBLY	52
RIGHT REAR CENTER PANEL ASSEMBLY	53
RIGHT FRONT CENTER PANEL ASSEMBLY	54
UPPER RIGHT FRONT PANEL ASSEMBLY	55
UPPER DOOR PANEL ASSEMBLY	56
LOWER LEFT FRONT PANEL ASSEMBLY	57
LOWER LEFT REAR PANEL ASSEMBLY	58
END PANEL ASSEMBLY	59
FRONT ROOF PANEL ASSEMBLY	60 - 61
REAR ROOF PANEL ASSEMBLY	62
FRONT PANEL ASSEMBLY	63
TRAILER ASSEMBLY	64 - 65
NOTES	66

ENCLOSURE PANELS



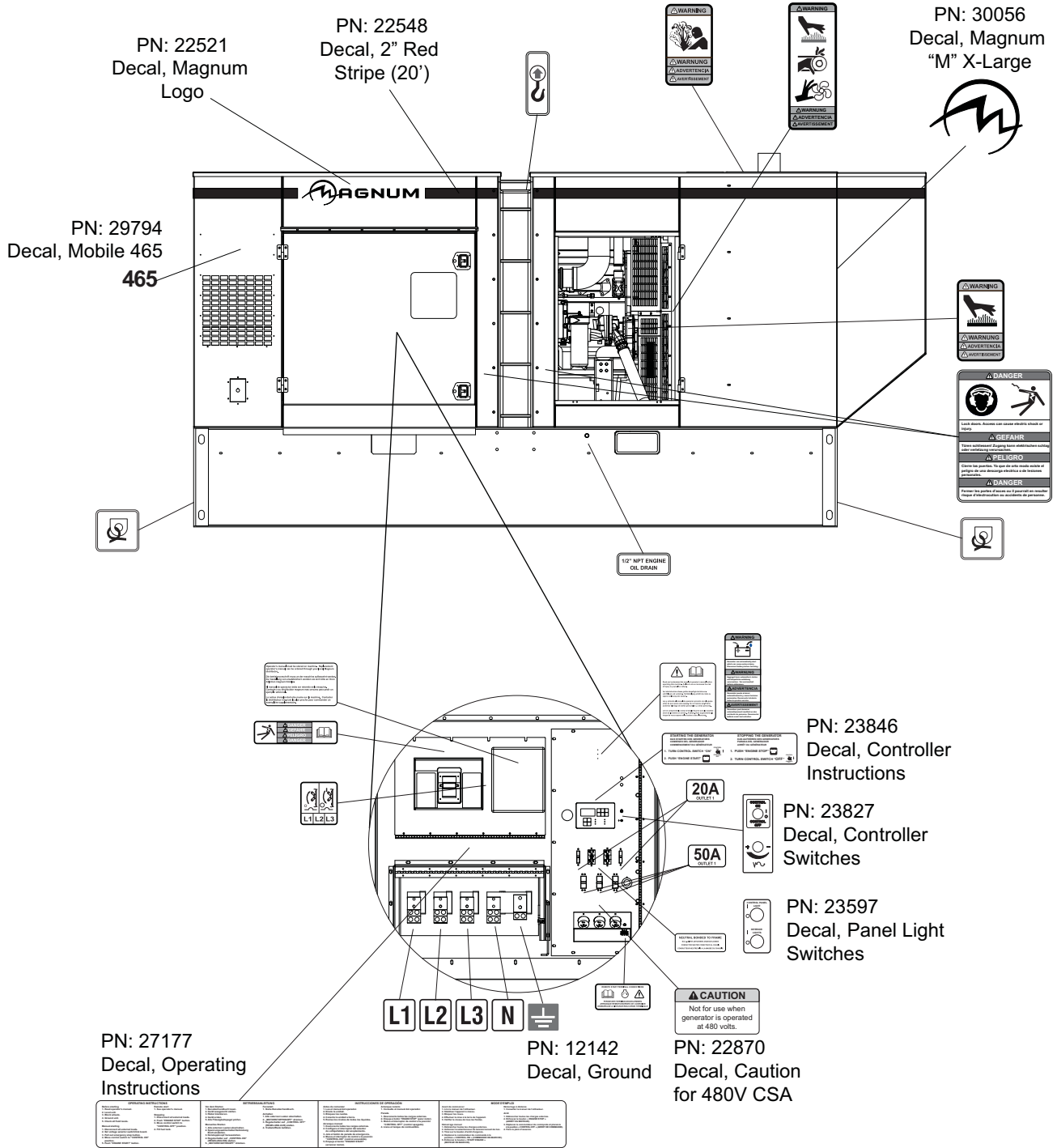
ITEM	PART	QTY	DESCRIPTION
1	Page 60	1	Assembly, front roof panel
2	Page 62	1	Assembly, rear roof panel
3	Page 55	3	Assembly, upper right front panel
4	Page 50	1	Assembly, left front corner
5	Page 38	1	Assembly, left front door
6	Page 57	1	Assembly, lower left front panel
7	Page 54	2	Assembly, right front center panel
8	Page 52	1	Assembly, center side panel
9	Page 44	1	Assembly, left rear door
10	Page 58	2	Assembly, lower left rear panel
11	Page 59	4	Assembly, end panel
12	Page 37	1	Assembly, rear panel
13	Page 48	1	Assembly, right rear corner
14	Page 56	1	Assembly, upper door panel
15	Page 40	1	Assembly, control door
16	Page 16	1	Panel, wire guide
17	Page 53	1	Assembly, right rear center panel
18	Page 51	1	Assembly, right front corner
19	Page 42	1	Assembly, right front door
20	Page 63	1	Assembly, front panel
21	Page 46	1	Assembly, left rear corner

UNIT DECALS



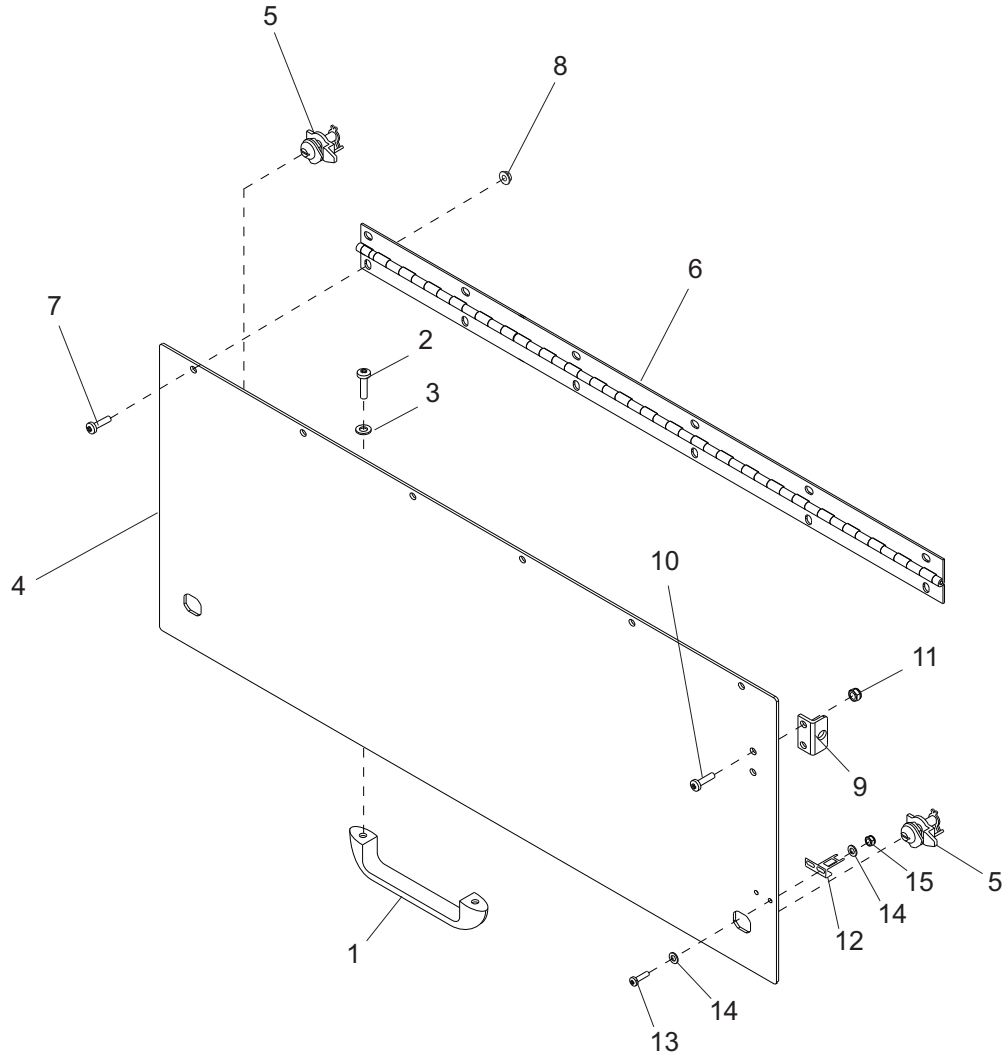
Note: All safety and operating decals are located on decal sheet 23826, unless otherwise noted.

UNIT DECALS



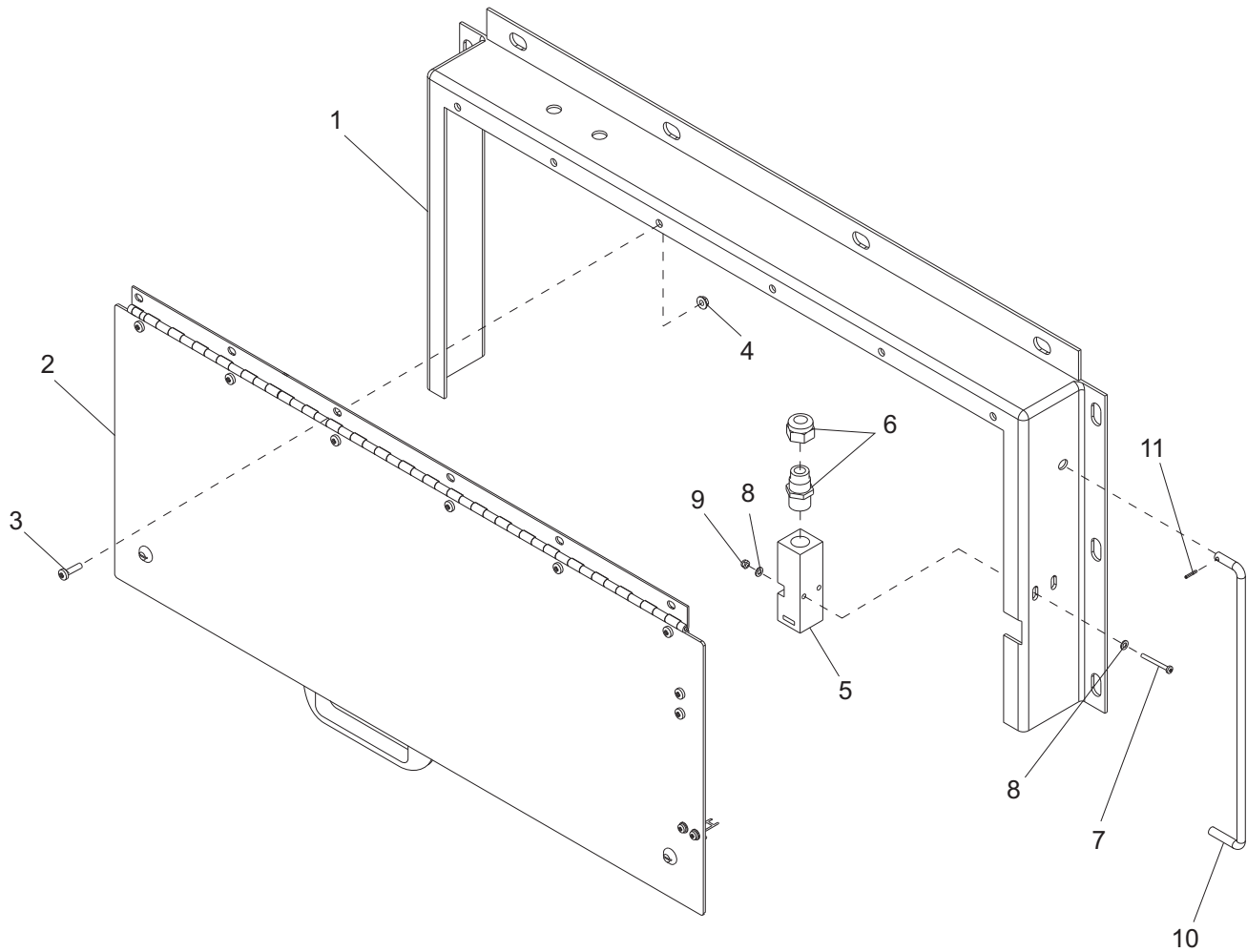
Note: All safety and operating decals are located on decal sheet 23826, unless otherwise noted.

LUG BOX DOOR ASSEMBLY



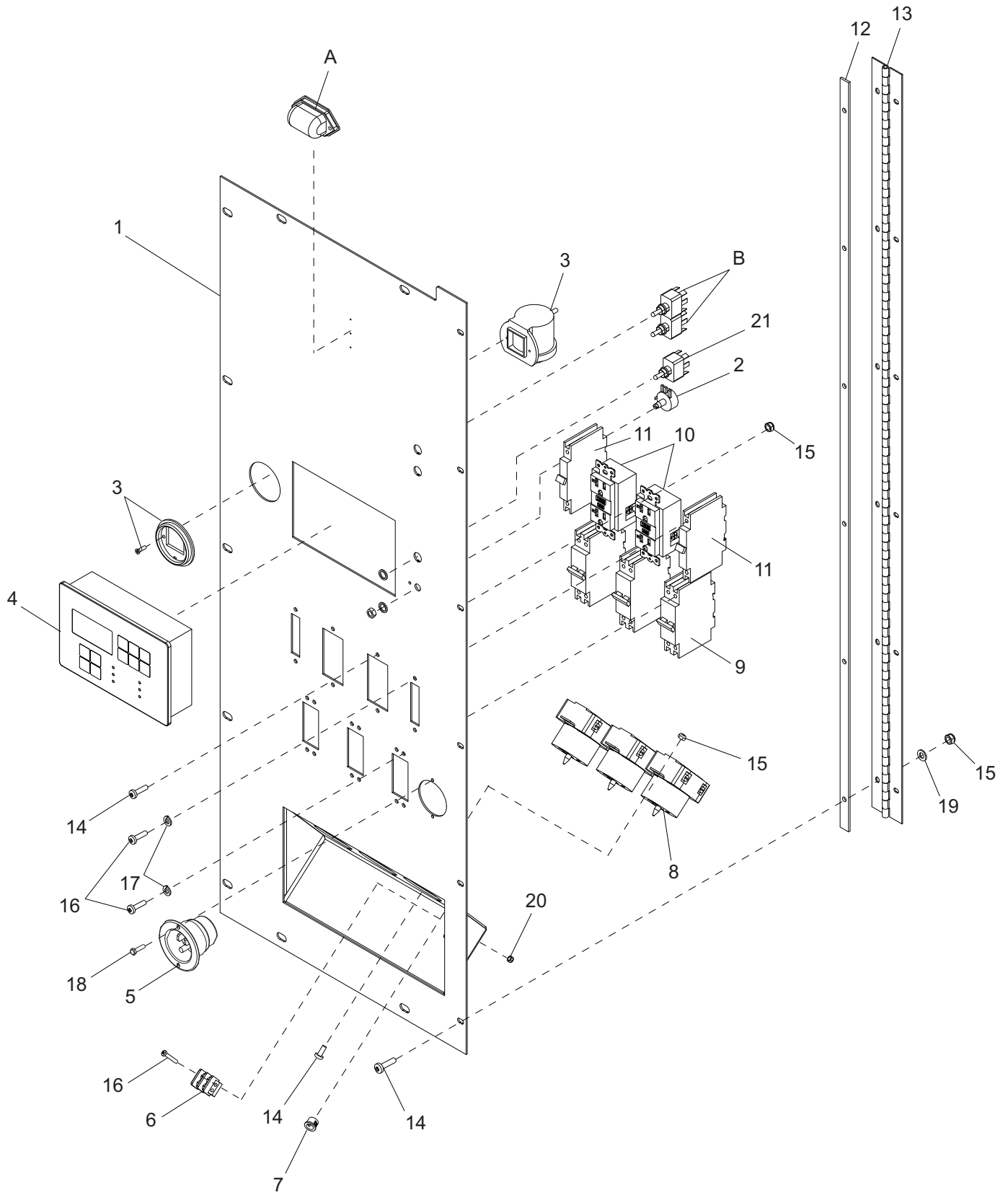
ITEM	PART	QTY	DESCRIPTION	NOTES
1	18893	1	Handle, lug door	
2	60068	2	Screw, 10-24x.500 pan phil	
3	60252	2	Washer, #10 split lock	
4	21430	1	Door, lug box	
5	20762	2	Lock, door - 1/4 turn cam	
6	21431	1	Hinge, lug door - 28.00	
7	60398	6	Screw, 10-32x.500 pan phil 316 SS	
8	61045	6	Nut, 10-32 ser flg	
9	20916Z	1	Bracket, prop rod	
10	60524	2	Screw, 10-24x.625 pan phil	
11	60530	2	Nut, 10-24 nylock 316 SS	
12	18112	1	Key, lockout switch	
13	60526	2	Screw, 8-32x.500 pan phil	
14	60269	4	Washer, #8 flat .433/.036	
15	60270	2	Nut, 8-32 nylock	

LUG BOX ASSEMBLY



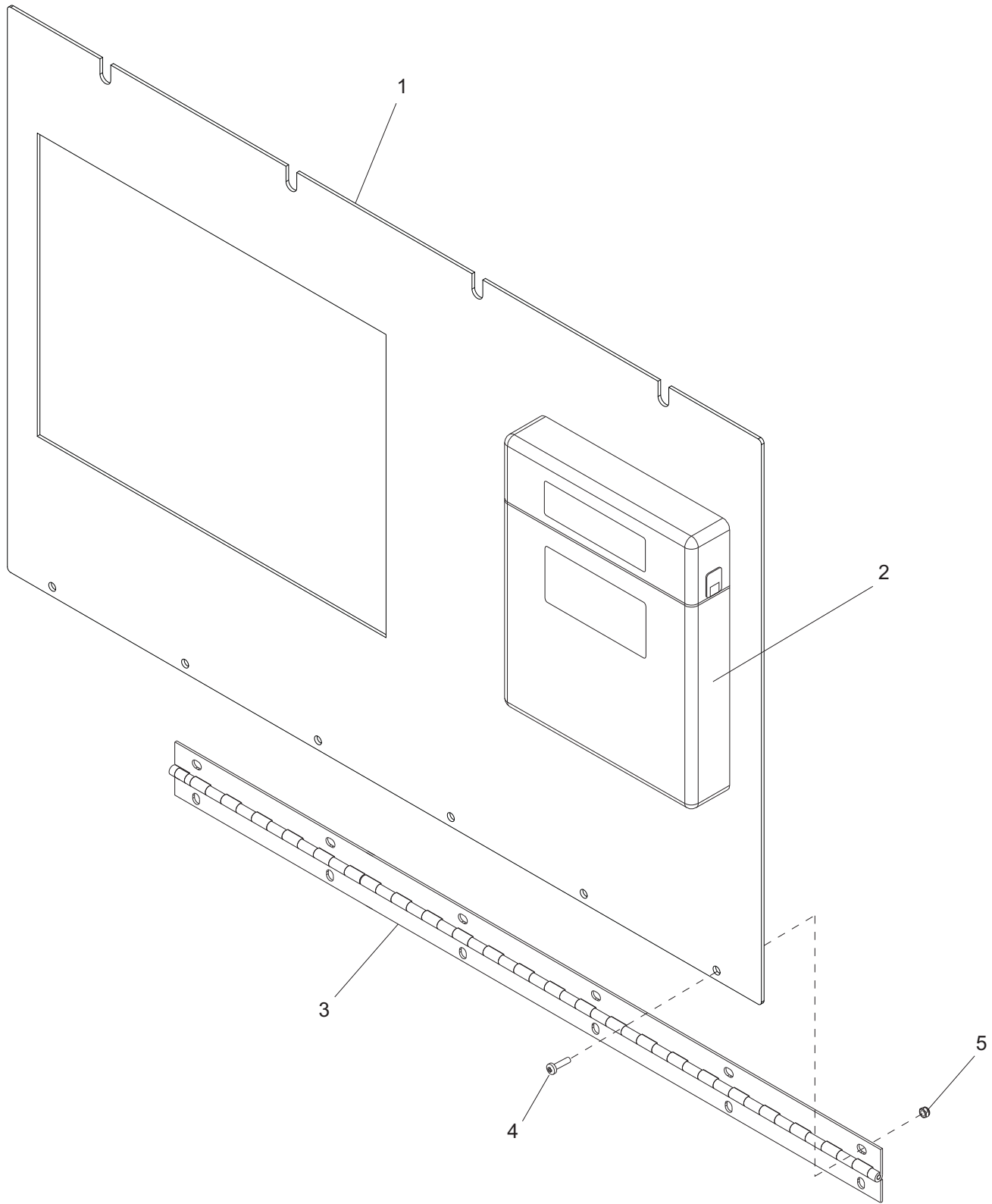
ITEM	PART	QTY	DESCRIPTION	NOTES
1	21297W	1	Box, lug	
2	Page 8	1	Assembly, lug box door	
3	60398	6	Screw, 10-32x.500 pan phil 316 SS	
4	61045	6	Nut, 10-32 ser flg	
5	18111	1	Switch, lockout (1 NO)(1 NC)	
6	15863	1	Strain relief - .50 NPT watertight	
7	60525	2	Screw, 8-32x1.500 pan phil	
8	60269	2	Washer, #8 flat .433/.036	
9	60270	2	Nut, 8-32 nylock	
10	18900ZC	1	Rod, door prop	
11	60048	1	Pin, roll .125 x .625	

RIGHT CONTROL PANEL ASSEMBLY



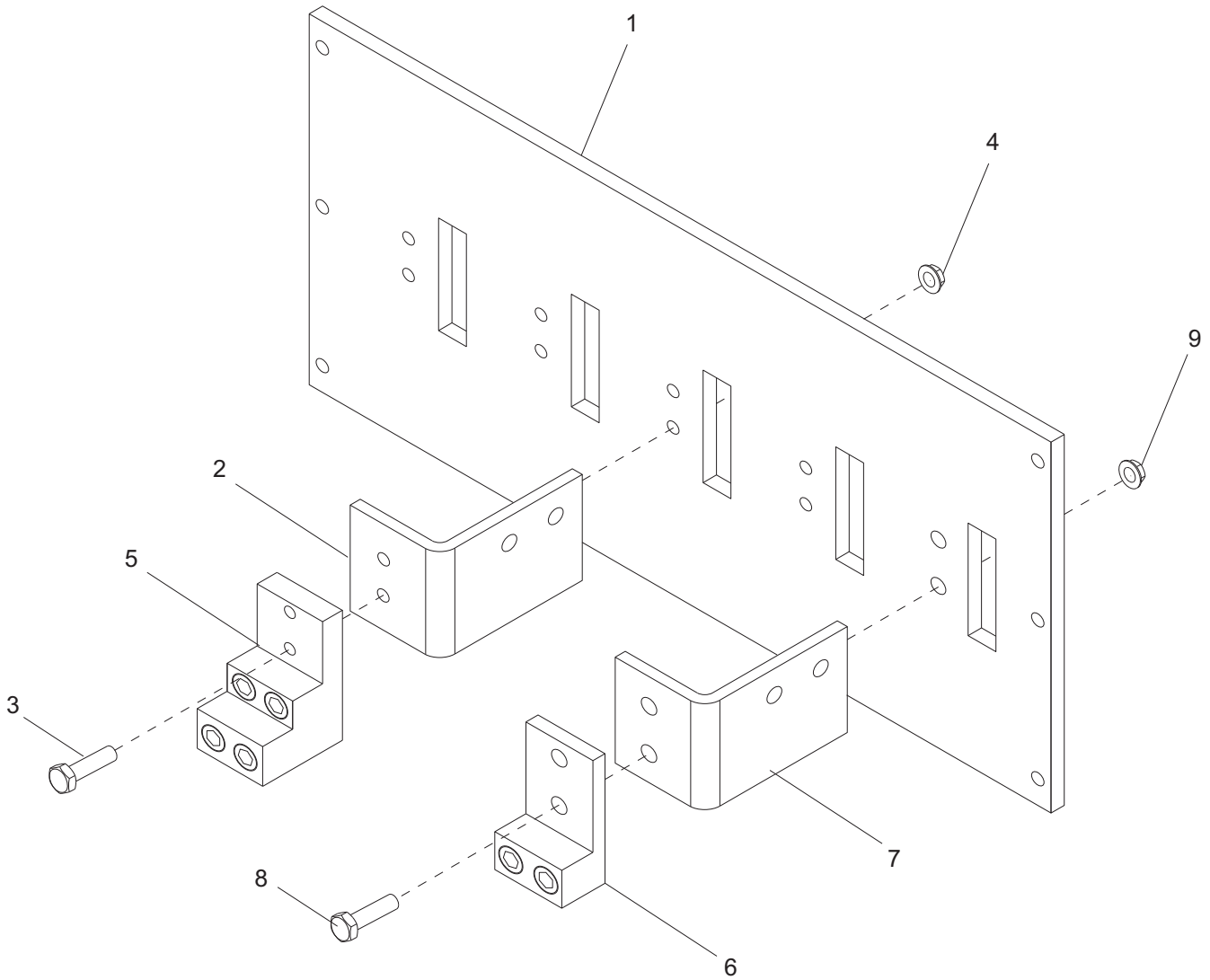
ITEM	PART	QTY	DESCRIPTION	NOTES
1	24110W	1	Weldment, control panel	
2	26229	1	Kit, voltage adjustment potentiometer	
3	18609	1	Kit, filter minder gauge	
4	66646	1	Controller, programmed	
5	65285	1	Receptacle, 120V/15A in Edison (5-15R)	
6	18890	1	Block, terminal - 2 pos	
7	19163	1	Bushing, .500 od x .375 id	
8	18089	3	Receptacle, 120/240V 50A twist lock	
9	18092	3	Breaker, 50A, 240V, 2-Pole	
10	14130	2	Receptacle, 120V/20A GFI (5-20R)	
11	18091	2	Breaker, 20A, 240V, 1-pole	
12	22211W	1	Spacer, hinge right control panel	
13	22210	1	Hinge, right control panel	
14	60068	22	Screw, 10-24x.500 pan phil	
15	60457	22	Nut, 10-24 nylock	
16	60046	22	Screw, 6-32x.750 pan hd phil	
17	60058	16	Washer, split lock #6	
18	60364	2	Screw, 10-16x .500 hx hd #3	
19	60237	6	Washer, #10 flat .495/.036 SAE	
20	60290	2	Nut, 6-32 hx nylock SS	
21	25077	1	Switch, toggle - spst 20AVAC	
A	23025	1	Light, interior control panel	Option
B	25077	2	Switch, toggle - spst 20AVAC	Option

CIRCUIT BREAKER PANEL ASSEMBLY



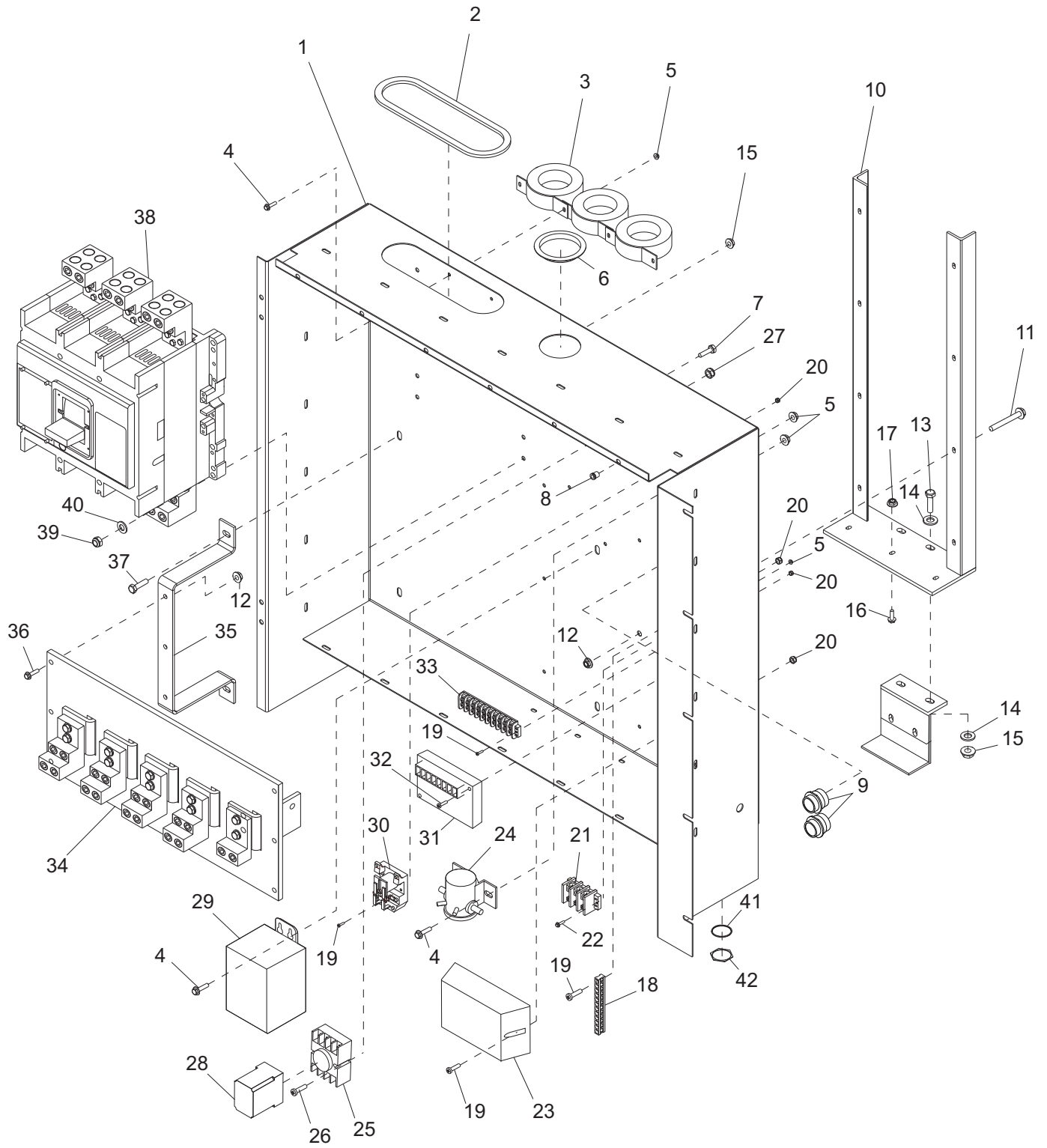
ITEM	PART	QTY	DESCRIPTION	NOTES
1	27127W	1	Plate, breaker	
2	18715	1	Holder, manual (plastic)	
3	21431	1	Hinge, lug door - 28.00	
4	60524	6	Screw, 10-24x.625 pan phil	
5	60457	6	Nut, 10-24 nylock	

LUG PLATE ASSEMBLY



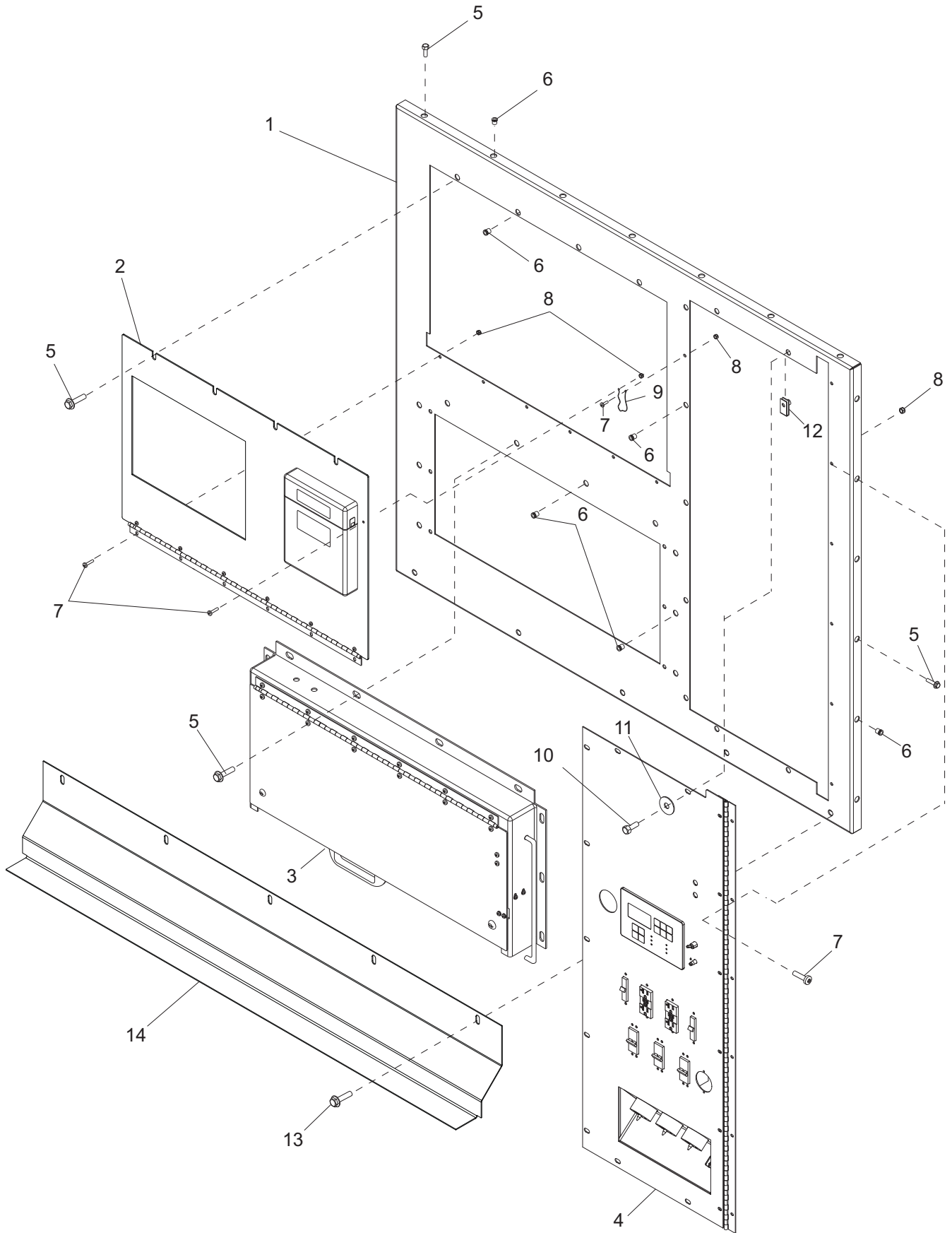
ITEM	PART	QTY	DESCRIPTION	NOTES
1	21269	1	Lug plate, 1/2" glastic	
2	21270	4	Bus 3/8"x4" copper, lug termination	
3	60978	8	Screw, .375-16x2.500 hx hd	
4	60145	8	Nut, .375-16 ser flg G5 lock	
5	65303	4	Lug, terminal quad #2-600MCM 2 hole	
6	65302	1	Lug, terminal dual #4-600 MCM 2 hole	
7	21296	1	Bus, 3/8"x4", ground termination	
8	60484	2	Screw, .500-13x2.000 hx hd	
9	60098	2	Nut, .500-13 hx ser flg	

CONTROL BOX ASSEMBLY



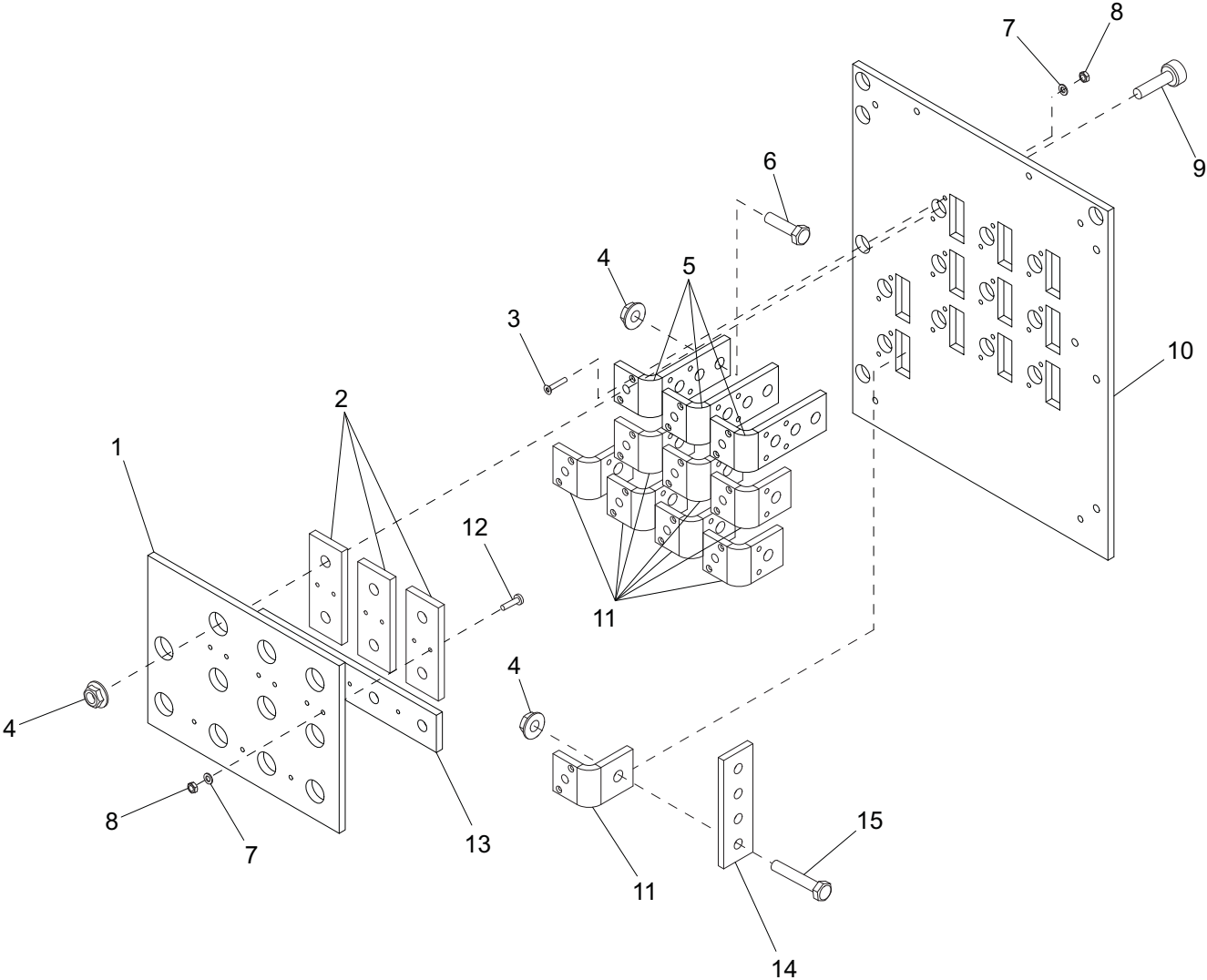
ITEM	PART	QTY	DESCRIPTION	NOTES
1	28670B	1	Weldment, control box	
2	50230	1	Weatherstripping - .188 x .500	
3	65558	3	Transformer, current - wire leads	(1600:5A)
4	60175	4	Screw, .250-20x.500 ser flg hx	
5	60161	10	Nut, .250-20 ser flg	
6	19578	1	Fitting, bushing - 4.00 OD x 3.437 ID	
7	60478	8	Screw, .375-16x2.00 hx hd	
8	60022	6	Insert M8 fastener	
9	65309	2	Connector, 21 pin, Deutsch	
10	21433B	1	Weldment, control box support	
11	61091	8	Screw, .312-18x1.000 ser flg hx	
12	60095	14	Nut, .312-18 ser flg G5 case hard	
13	60388	2	Screw, .500-13x1.500 hx hd	
14	60416	4	Washer, .500 flat 1.375/.090 USS	
15	60098	6	Nut, .500-13 ser flg	
16	60353	3	Screw, .375-16x1.000 flg hx self tap	
17	60145	3	Nut, .375-16 ser flg lock	
18	14204	1	Kit, ground bar	
19	60396	8	Screw, 10-32x1.250 pan phil	
20	60061	8	Nut, 10-32 nylock	
21	65356	1	Block, terminal - 3 pole	
22	60479	2	Screw, .250-20x1.000 ser flg hx	
23	66212	1	Charger, battery 2-5 amp 24V	
24	66004	1	Relay, 65A SPST 24VDC solenoid	
25	65644	1	Base, relay - 8 pos.	
26	60406	2	Screw, 8-32x1.000 pan phil	
27	60270	2	Nut, 8-32 nylock	
28	65645	1	Relay, voltage sensing	
29	21487	1	Transformer, 1.13:1 1-phase 500VA	
30	65461	1	Relay, 30A DPDT 120VAC power	
31	23522	1	Regulator, voltage - PM300	
32	60156	2	Screw, M5-0.80x16 pan phil G4.8	
33	14203	1	Block, terminal - 10 pos.	
34	Page 13	1	Assembly, lug plate	
35	21436B	2	Bracket, glastic plate	
36	60534	6	Screw, .312-18x1.750 ser flg hx full thd	
37	60275	4	Screw, .500-13x1.000 hx hd G5	
38	65364	1	Breaker, 1600A, 24VDC shunt trip	
39	60358	8	Nut, .375-16 nylock	
40	60386	8	Washer, .375 flat .993/.064	
41	65417	1	Washer, lock, 21-pin Deutsch	
42	65416	1	Nut, Deutsch 21-pin plug	

MAIN CONTROL PANEL ASSEMBLY



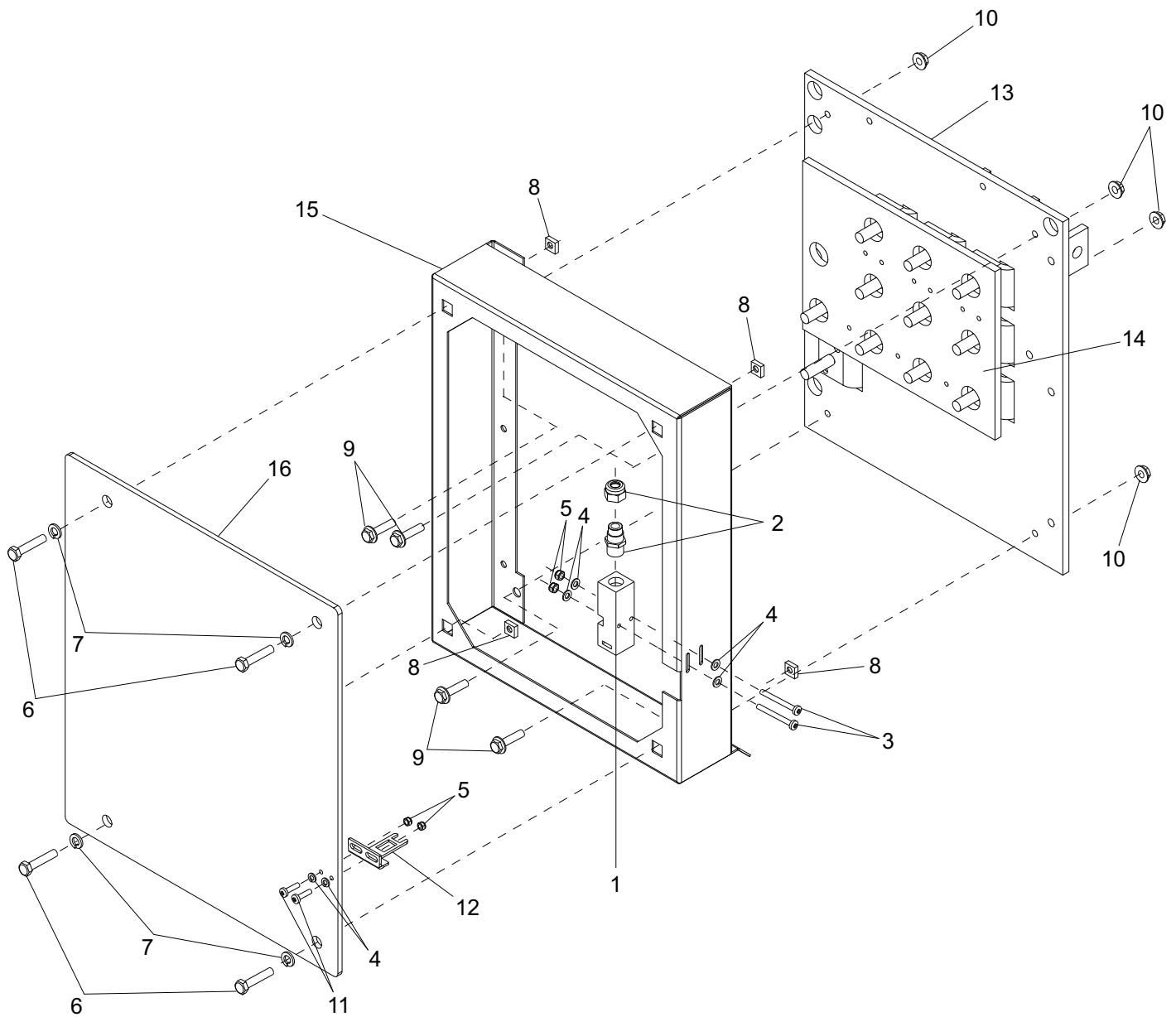
ITEM	PART	QTY	DESCRIPTION	NOTES
1	24112W	1	Panel, control	
2	Page 12	1	Assembly, circuit breaker panel	
3	Page 9	1	Assembly, lug box	
4	Page 10	1	Assembly, right control panel	
5	60009	35	Screw, M8-1.25x20 ser flg hx case hard	
6	60022	35	Insert, M8 threaded	
7	60156	25	Screw, M5x0.8x16 pan hd phil	
8	60038	25	Nut, M5 hx nylock	
9	19384	1	Tether, cable - 18.00 long	
10	60507	9	Screw, .312-18x1.000 hx hd SS	
11	60452	9	Washer, flat .313 x 1.125 bonded rubber	
12	60505	9	Nut, U clip - .312-18 long type	
13	60009	5	Screw, M8-1.25x25 sflg hex G8.8	
14	21256B	1	Panel, wire guide	

RECONNECT AND SHORTING BOARD ASSEMBLY



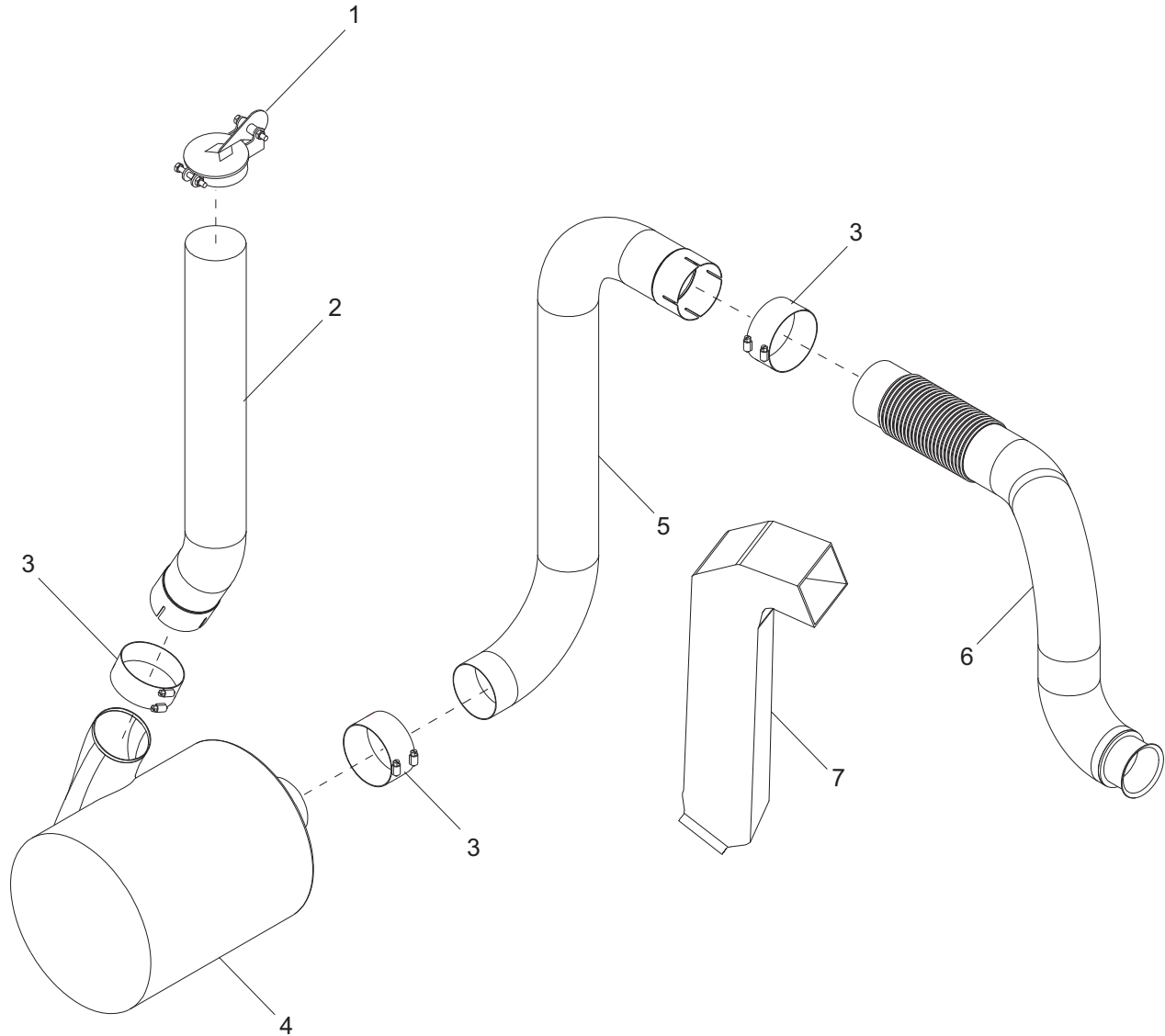
ITEM	PART	QTY	DESCRIPTION	NOTES
1	23605	1	Shorting board, .375 GPO-3	
2	21429	3	Bus, shorting board	
3	60771	22	Screw, 8-32x1.000 flat hex	
4	60098	31	Nut, .500-13 ser flg	
5	21414	3	Bus, reconnect	
6	60388	16	Screw, .500-13x1.500 std hex	
7	60269	31	Washer, #8 flat .433/.036	
8	60318	31	Nut, 8-32 hex	
9	60791	11	Screw, .500-13x1.500 soc hex full thd	
10	23598	1	Plate, reconnect board	
11	21407	8	Bus, reconnect board	
12	60488	9	Screw, 8-32x.750 pan phil self tap thrd	
13	23604	1	Bus, shorting board	
14	21466	1	Bus, reconnect board neutral link	
15	60484	4	Screw, .500-13x2.000 std hex	

RECONNECT BOX ASSEMBLY



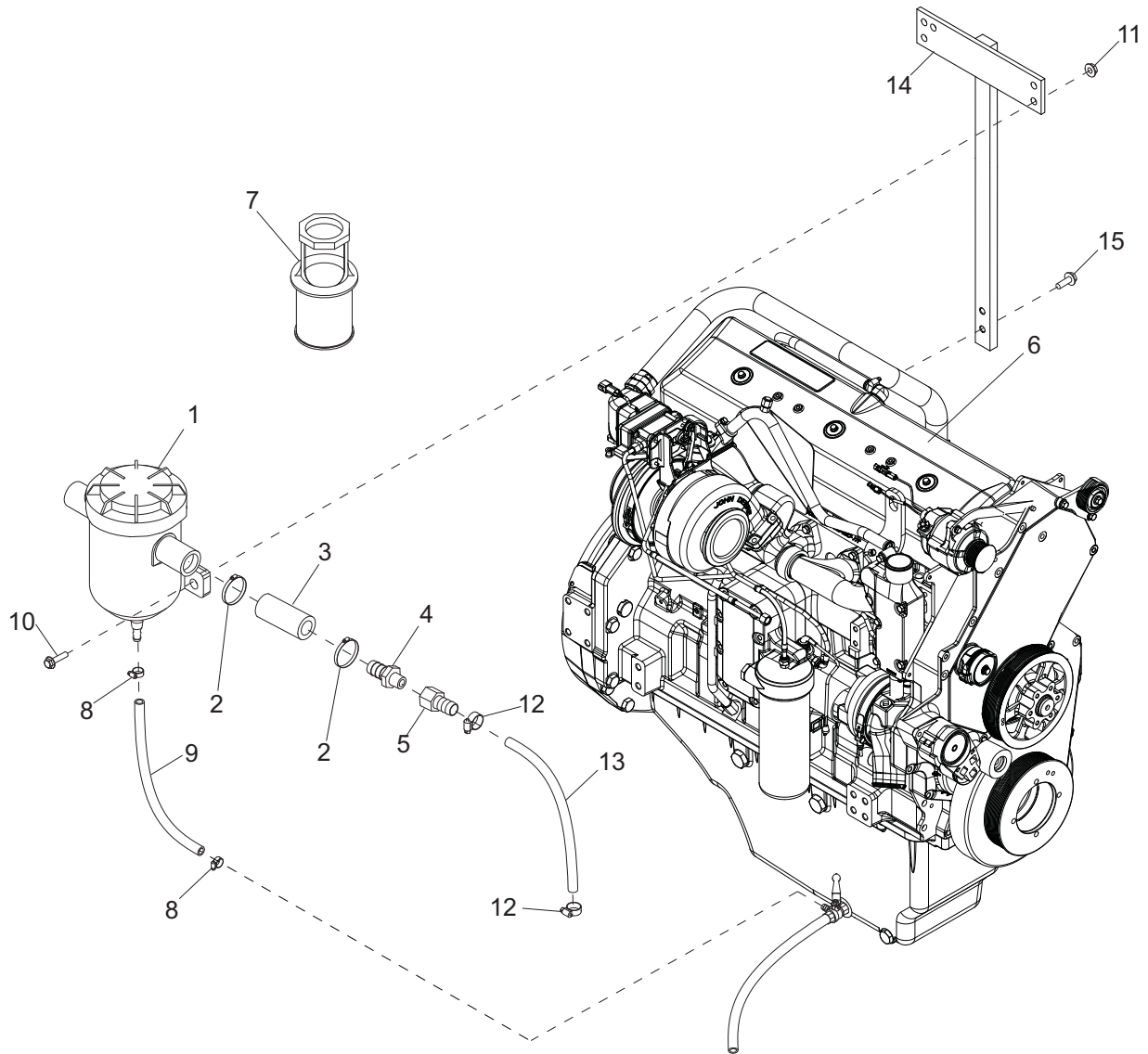
ITEM	PART	QTY	DESCRIPTION	NOTES
1	18111	1	Switch, lockout	
2	15863	1	Strain relief, .50NPT watertight .50ID	
3	60525	2	Screw, 8-32x1.500 pan phil	
4	60269	6	Washer, #8 flat .433/.036	
5	60270	4	Nut, 8-32 nylock	
6	60275	4	Screw, .500-13x1 hx hd	
7	60276	4	Washer, .500 split lock	
8	60772	4	Nut, .500-13 cage	
9	60479	4	Screw, .250-20x1.000 ser flg hx	
10	60161	4	Nut, .250-20 ser flg	
11	60526	2	Screw, 8-32x.500 pan phil	
12	18112	1	Key, lockout switch	
13	Page 18	1	Assembly, reconnect board	
14	Page 18	1	Assembly, shorting board	
15	23515W	1	Box, reconnect	
16	23516	1	Door, reconnect box	

EXHAUST SYSTEM ASSEMBLY



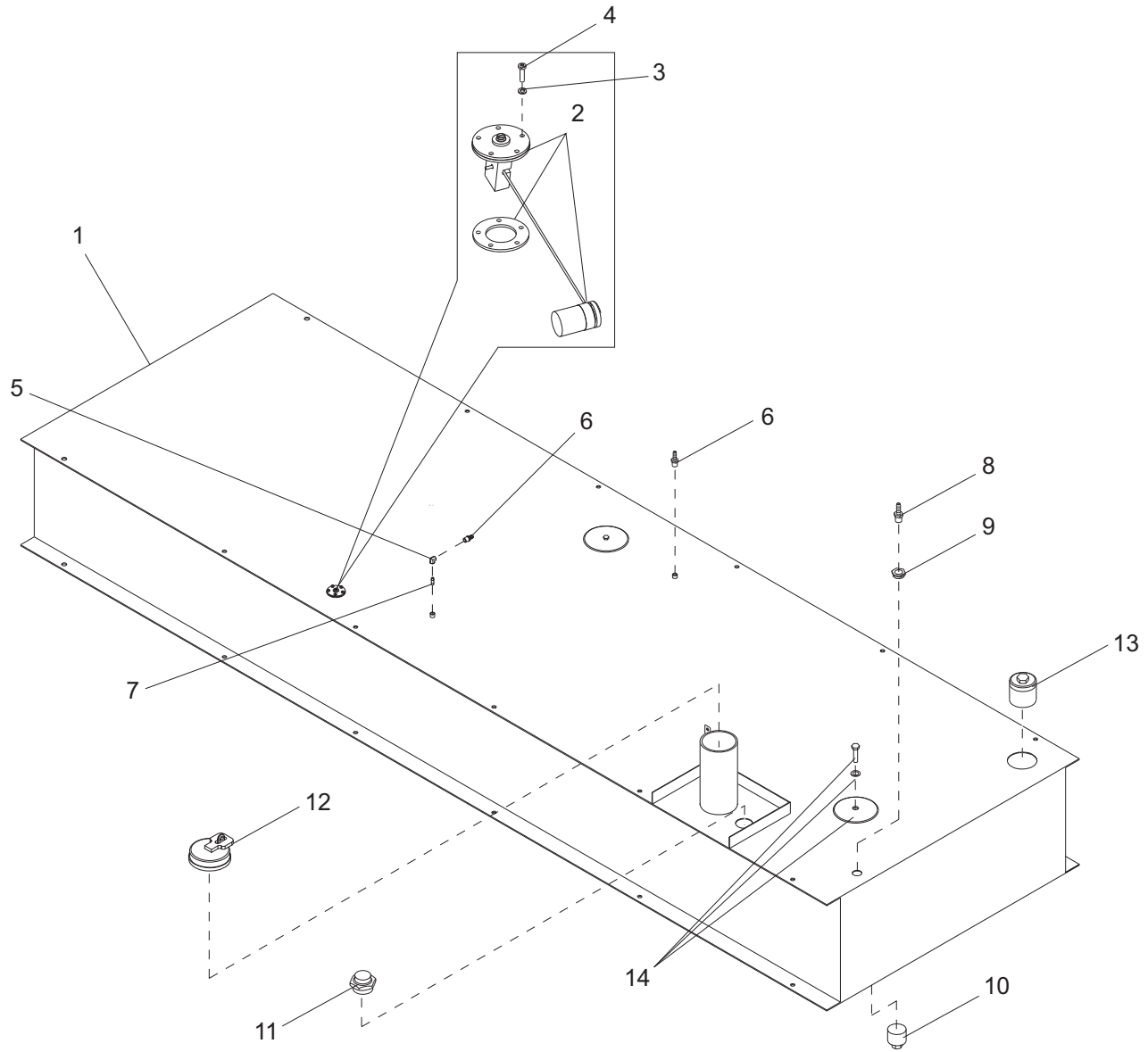
ITEM	PART	QTY	DESCRIPTION	NOTES
1	21091	1	Cap, rain 6.00	
2	21391	1	Pipe, exhaust up	
3	24115	3	Clamp, muffler - 6.00 wide band	
4	24096	1	Muffler, 6.00 - cowl w/bracket	
5	21390	1	Pipe, exhaust down	
6	20351	1	Pipe, exhaust	
7	27492	1	Blanket, exhaust - 465	
-	21425	1	Clamp, v-ring	Not shown

OIL VAPOR RECOVERY SYSTEM ASSEMBLY



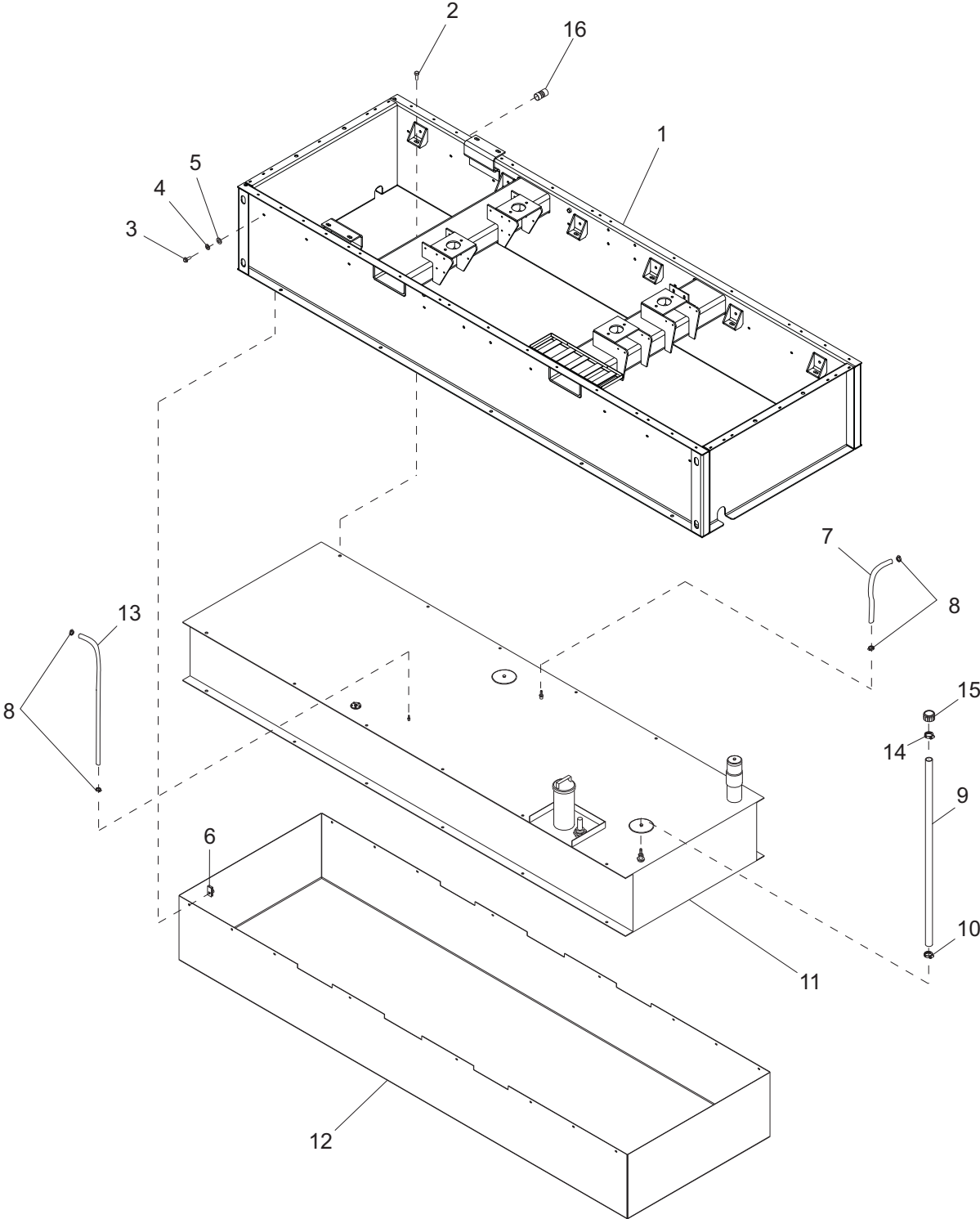
ITEM	PART	QTY	DESCRIPTION	NOTES
1	24108	1	Kit, oil recirculation	
2	15422	2	Clamp, hose - SAE 020 (.75-1.75)	
3	50555	.25 ft.	Hose, 1.375 Dayco 77138GL	
4	61011	1	Fitting, strt - .750MNPTx1.25 barb bk nyl	
5	61013	1	Fitting, strt - .750FNPTx1.00 barb brass	
6	Page 30	1	Assembly, engine	
7	24551	1	Filter, oil recirculation	
8	19453	2	Clamp, hose - SAE 006 (.37-.38)	
9	50206	3.33 ft.	Hose, fuel - .500 ID 50 PSI SAE 30R7	
10	60534	2	Screw, .312-18X1.750 sflg hex ZC fully thd case hd	
11	60095	2	Nut, .312-18 sflg ZC case hardened	
12	60365	2	Clamp, hose - SAE 010 (.56-1.06)	
13	50019	2.16 ft.	Hose, fuel - 1.00 SAE 20R3 D-2	
14	21568B	1	Weldment, oil bypass support	
15	60177	2	Screw, M10-1.50X30 std hx G10.9 ZB	

FUEL TANK ASSEMBLY



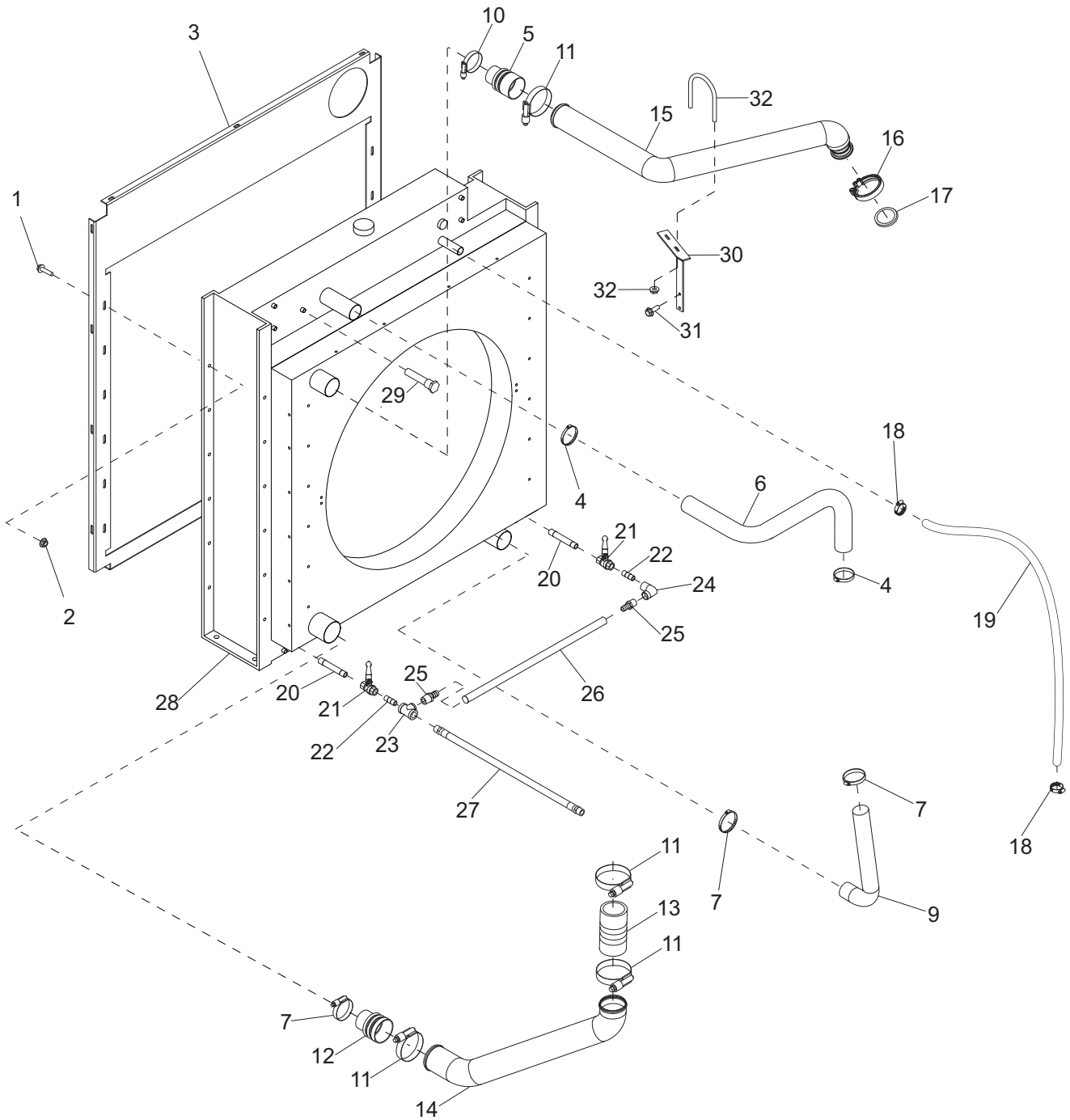
ITEM	PART	QTY	DESCRIPTION	NOTES
1	20977B	1	Tank, fuel 628 gal	
2	21206	1	Sender, fuel - 15.5-24" RH, #391D-D	
3	60252	5	Washer, #10 split lock zc	
4	60062	5	Screw, 10-32 x .750 pan phil G2 zc	
5	22462	1	Fitting, .500 nptf x 90 deg - brass	
6	40728	2	Fitting, strt-.500NPTX.500 barb	
7	60438	1	Fitting, nipple, pipe-.500NPTxclose	
8	25496	1	Fitting, .750npt male x 1.00 hose barb	
9	22725	1	Fitting, strt - 1.50MNTP x .750FNPT	
10	65636	1	Plug, 1.00 npt flush mount w/hex socket	
11	61000	1	Plug, 2.00 npt square drive	
12	23707	1	Cap, fuel fill - 3.50	
13	24542	1	Pipe nipple	
14	24541	2	Plug, 6.00 tank clean out	

FUEL TANK AND SKID ASSEMBLY



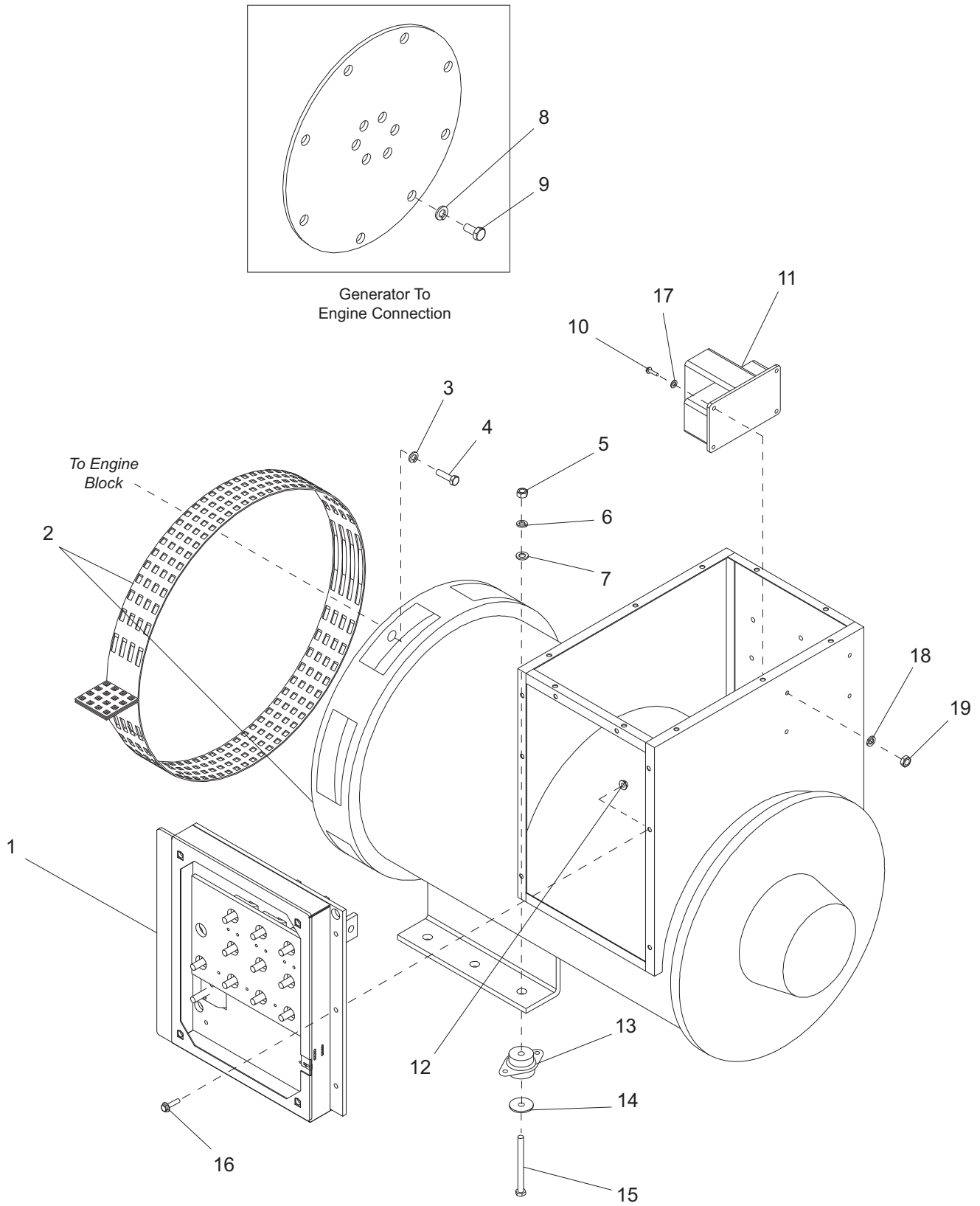
ITEM	PART	QTY	DESCRIPTION	NOTES
1	20995B	1	Weldment, skid	
2	60508	12	Screw, .750-10x2.000 flg hd	
3	60168	18	Screw, .312-18x.750 hx hd	
4	60271	18	Washer, .312 split lock	
5	60119	18	Washer, .312 flat .875/.070	
6	60505	18	Nut, U-clip - .312-18 long type	
7	50206	3.91 ft.	Hose, fuel - .500 ID	
8	19453	4	Clamp, hose - SAE 006 (.37-.87)	
9	50019	6.33 ft.	Hose, fuel - 1.00 SAE 20R3 D-2	
10	19338	2	Clamp, hose - SAE 016 (.68-1.50)	
11	Page 23	1	Assembly, fuel tank	
12	21002B	1	Containment, fuel tank	
13	50019	4.33 ft.	Hose, fuel - 1.00 SAE 20R3 D-2	
14	62040	2	Clamp, hose - 1.50 crimp style	
15	26739	2	Vent, plastic fuel 1.00 I.D	
16	21441	1	Fitting, str - 1.060-12unx .500npt	

COOLING SYSTEM ASSEMBLY



ITEM	PART	QTY	DESCRIPTION	NOTES
1	61091	12	Screw, .312-18x1.000 ser flg hx	
2	60095	12	Nut, .312-18 sflg zc case hardened	
3	21195B	1	Panel, bulkhead	
4	60666	2	Clamp, hose - constant torque - 2.25-3.125	
5	21294	1	Hose, C.A.C. - 3.00 - 4.00 x 4.00	
6	50566	2.5 ft.	Hose, 2.50" Parker EZ form coolant	
7	60664	3	Clamp, hose - constant torque - 2.75-3.625	
8	21423	2	Hose, radiator straight 3.0dia	
9	50567	3.0 ft.	Hose, 3.00" Parker EZ form coolant	
10	60818	1	Clamp, hose - constant torque - 3.25-4.125	
11	60665	4	Clamp, hose - constant torque - 3.75-4.625	
12	20350	1	Hose, c.a.c. - 3.5" id x 4" id x 4" l	
13	21293	1	Hose, c.a.c. - 4.00 x 6.00	
14	29796	1	Pipe, charge air cooler in	
15	20349	1	Pipe, charge air cooler out weldment	
16	27468	1	Clamp, v-band - 13.5l	
17	27469	1	Gasket, turbo outlet - 13.5l	
18	19338	2	Clamp, hose - SAE 016 (.68-1.50)	
19	50169	3.75 ft.	Hose, 1.00" goodyear wingfoot 300 class A	
20	21693	2	Fitting, nipple, pipe-.500NPTx11.000	
21	61165	2	Valve, ball .500NPTF X .50 hose barb pad-locking	
22	60438	2	Fitting, nipple, pipe-.500NPTXclose	
23	41166	1	Fitting, tee-.500FNPT gv	
24	22462	1	Fitting, 90-.500FNPTx.500FNPT brs	
25	60502	2	Fitting, strt-.500MNPTx.625barb brs	
26	50201	3.91 ft.	Hose, .625 horizon 200 class	
27	21442	1	Hose, drain - .500NPT x 24	
28	29797	1	Radiator, 465 w/ c.a.c. - ftb	
29	65592	1	Sensor, low coolant (GEMS)	
30	27596B	1	Weldment, c.a.c support	
31	60018	1	Screw, M10-1.25X20 sflg hex class 90 LB	
32	18822	1	Clamp, muffler - 4.00	

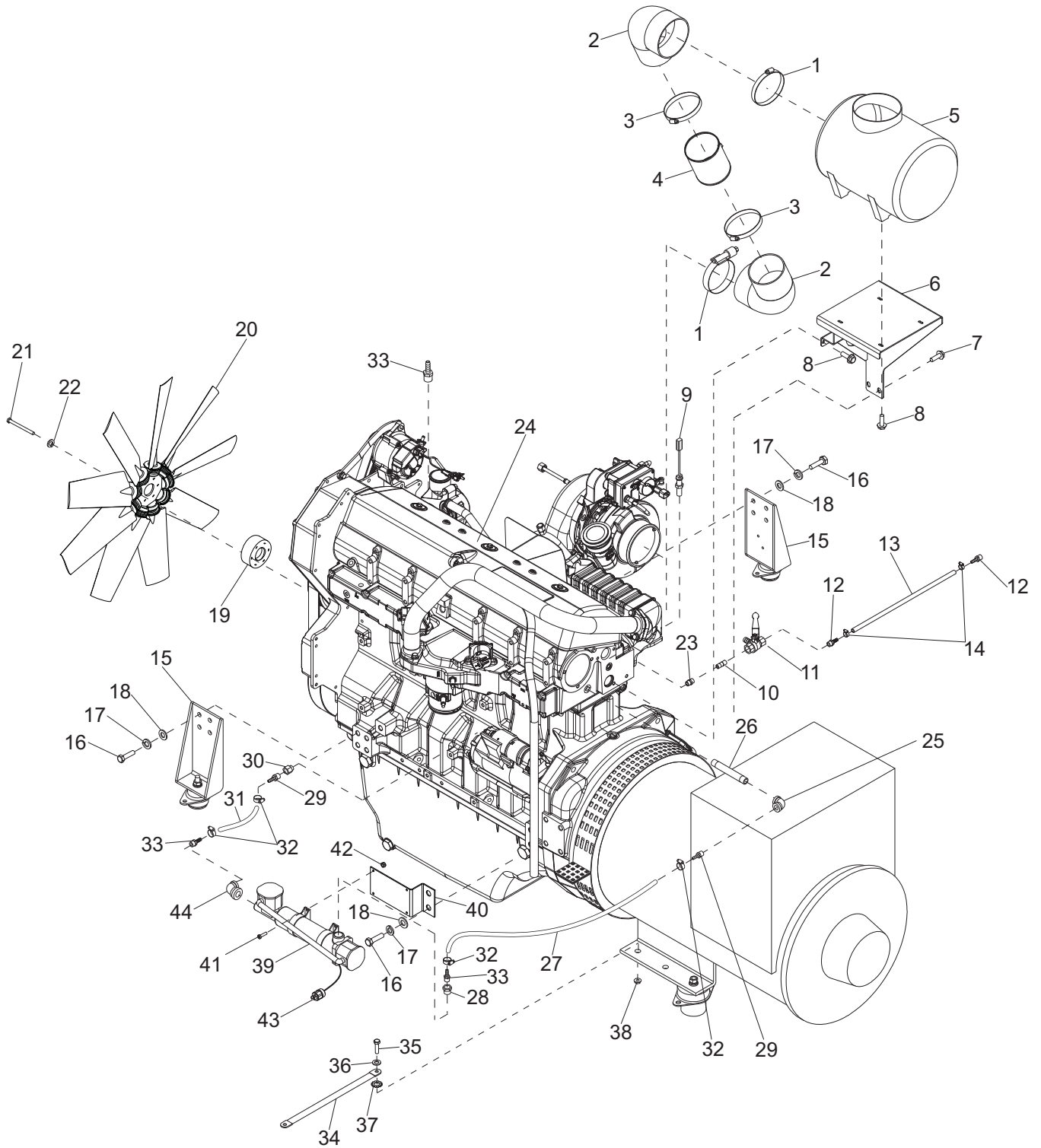
GENERATOR ASSEMBLY



ITEM	PART	QTY	DESCRIPTION	NOTES
1	Page 20	1	Assembly, reconnect box	
2	23728	1	Generator, 433PSL6220	
3	60476	12	Washer, spit lock .4375	
4	60474	12	Screw, .437-14x1.750	
5	60249	2	Nut, .750-10 hx hd	
6	60248	2	Washer, split lock .750	
7	60081	2	Washer, M20 flat	
8	60276	8	Washer, split lock .500	
9	60475	8	Screw, .500-13x1.000	
10	60381	4	Screw, m16-2.00X50 hx	
11	65745	1	Transformer, current - neutral sensing	
12	60161	6	Nut, .250-20 ser flg	
13	20994	2	Mount, shock	
14	21044	2	Washer, snubber	
15	60472	2	Screw, .750-10x5.750 hx hd	
16	60523	6	Screw, .250-20x.875 flg hx case hard	
17	60521	4	Washer, .625 flat 1.743/.108 ZB	
18	60522	4	Washer, .625 split lock ZB	
19	60520	4	Nut, M16-2.00 hex	

Note: Engine and generator parts used in all Magnum Products LLC equipment carry the Original Equipment Manufacturer (OEM) warranty unless otherwise stated. OEM warranty parts must be purchased through an OEM dealer. Please contact Magnum Products LLC with questions.

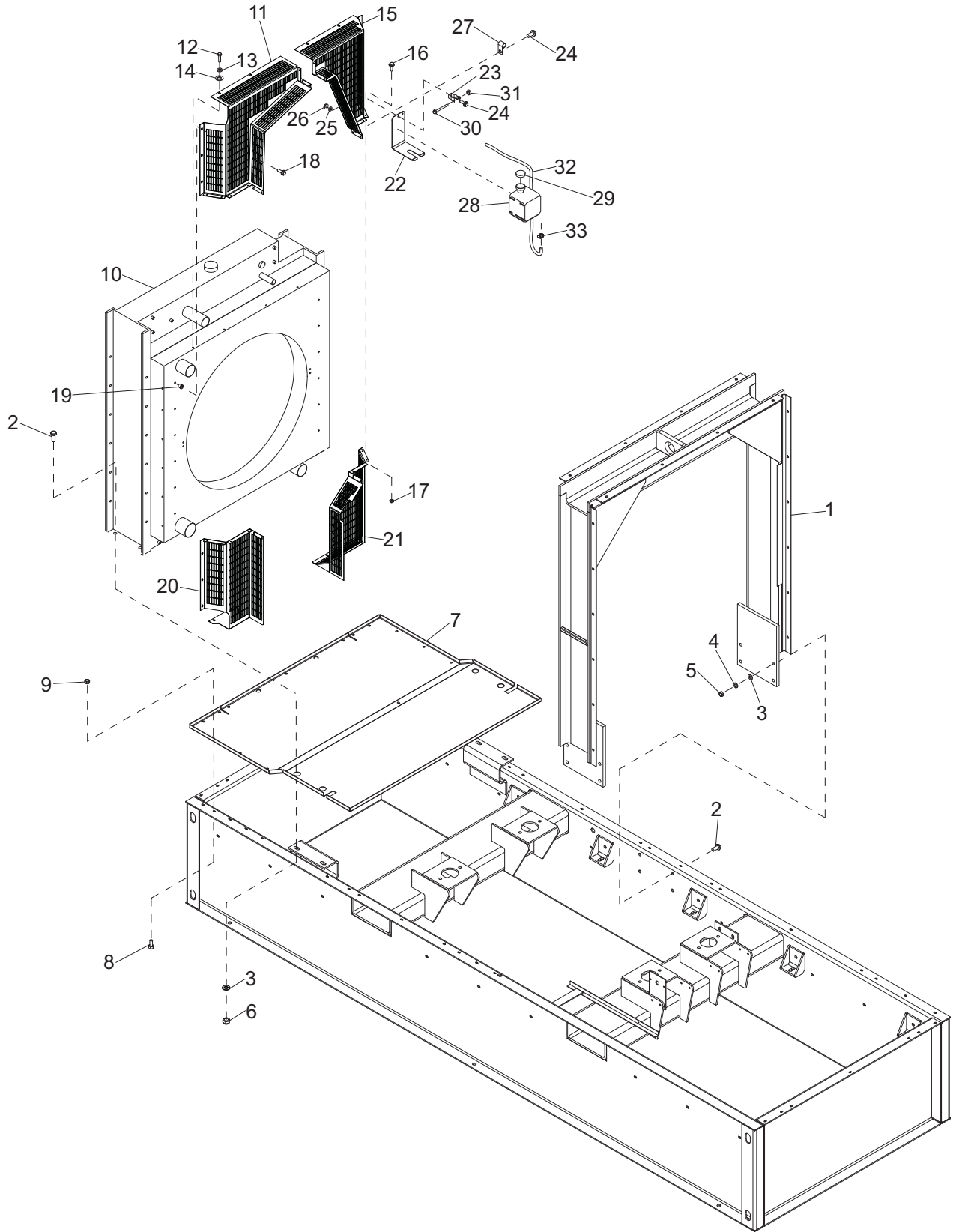
ENGINE ASSEMBLY



Note: Engine and generator parts used in all Magnum Products LLC equipment carry the Original Equipment Manufacturer (OEM) warranty unless otherwise stated. OEM warranty parts must be purchased through an OEM dealer. Please contact Magnum Products LLC with questions.

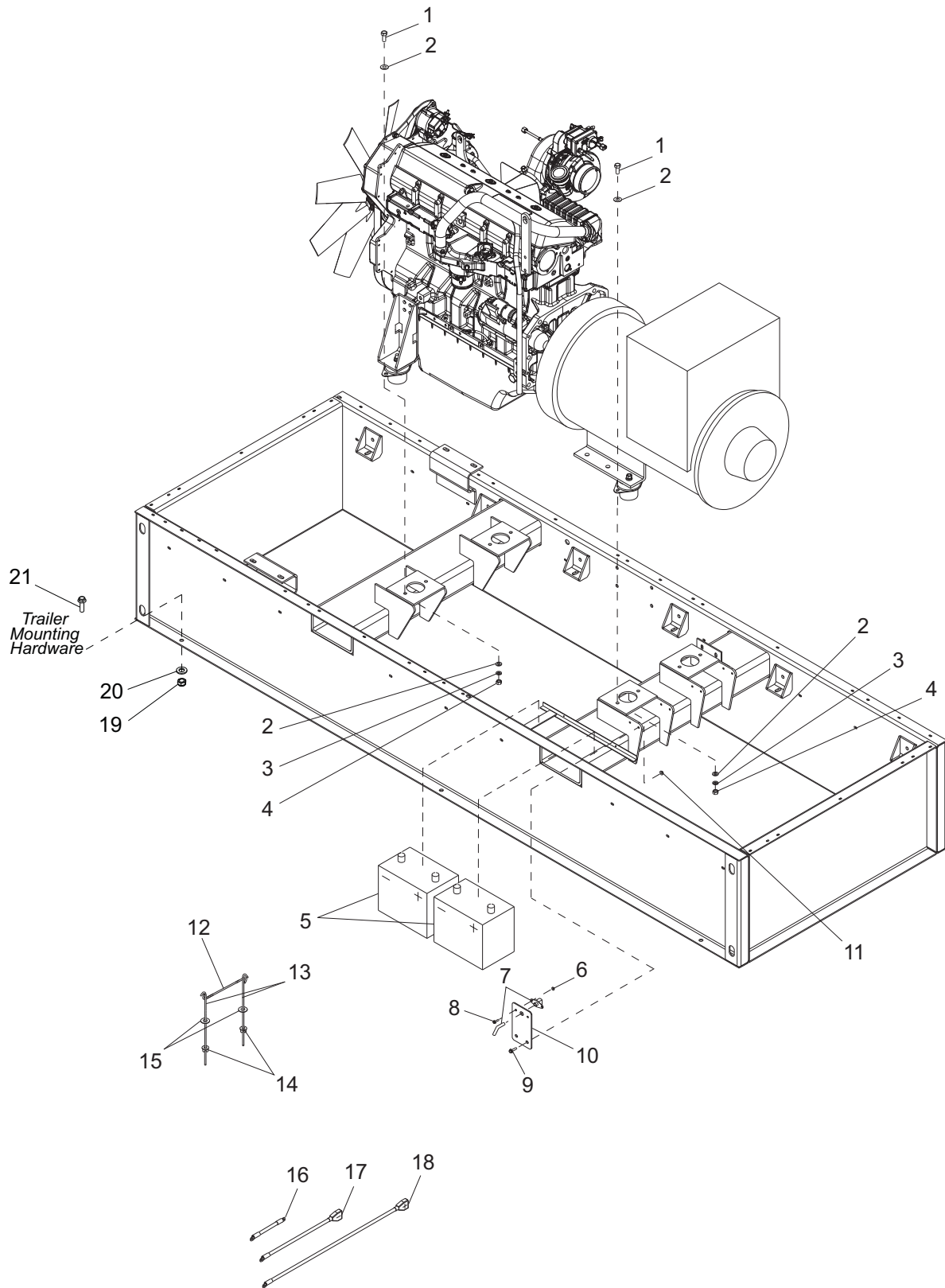
ITEM	PART	QTY	DESCRIPTION	NOTES
1	21712	2	Clamp, hose - SAE 116 (5.75-7.75)	
2	27265	2	Elbow, 90 7.0-6.0 ID molded rubber	
3	21757	2	Clamp, hose - SAE 104 (4.125-7.00)	
4	27068B	1	Pipe, air filter outlet - MMG320	
5	27244	1	Filter, air - (405/465)	
6	27465B	1	Weldment, air filter - 405/465	
7	60994	2	Screw, .625-11X1.500 flg hex G8 ZB	
8	60018	6	Screw, M10-1.25X20 sflg hex class 90 LB	
9	18105	1	Sensor, magnetic pick-up (.750-16UNF) John Deere	
10	60438	1	Fitting, nipple, pipe-.500NPTx close	
11	61165	1	Valve, ball .500NPTFX .50 hose barb pad-locking	
12	60502	2	Fitting, strt-.500MNPTX.625barb BRS	
13	50201	1.58 ft.	Hose, .625 horizon 200 class	
14	60365	2	Clamp, hose - SAE 010 (.56-1.06)	
15	Page 36	2	Assembly, mount	
16	60489	10	Screw, M16-2.00X40 std hex G10.9 ZB DIN933	
17	60194	10	Washer, M16 split lock LB DIN127	
18	60193	10	Washer, M16 flat LB DIN125	
19	21666	1	Spacer, fan - 174/290 (6 BOLT - 2.00)	
20	20299	1	Fan, 38.00 DIA - 16 blade	
21	60197	6	Screw, M10-1.50X75 std hex G8.8 ZC DIN931	
22	60026	6	Washer, M10 split lock ZC DIN127	
23	21441	1	Fitting, strt-1.060-12UNx.500NPT	
24	27234	1	Engine, deere 6135HF485	
25	25495	1	Fitting, 90-.750NPT BP	
26	25360	1	Fitting, nipple, pipe-.750NPTX4.000	
27	50019	1.83 ft.	Hose, fuel - 1.00 SAE 20R3 D-2	
28	24006	1	Fitting, reducer-1.000 MNPTX.750FNPT BP	
29	25496	2	Fitting, strt-.750MNPTX1.000barb	
30	22461	1	Fitting, strt-.500MNPTX.750FNPT	
31	50019	2 ft.	Hose, fuel - 1.00 SAE 20R3 D-2	
32	19338	4	Clamp, hose - SAE 016 (.68-1.50)	
33	25496	3	Fitting, strt-.750MNPTX1.000barb	
34	12465	1	Strap, braided ground 28"	
35	60388	1	Screw, .500-13X1.500 std hex G5 ZC	
36	60416	1	Wsher, .500 flat 1.375/.090 ZC USS	
37	61083	1	Washer, .500 int star ZC	
38	60098	1	Nut, .500-13 sflg ZC case hardened	
39	28407	1	Heater, coolant - 400-500CI, 120V 2500W, - 6.8/	
40	24427B	1	Weldment, coolant heater bracket- black	
41	60524	4	Screw, 10-24X.625 pan phil G2 ZC	
42	60457	4	Nut, 10-24 nyk G2 ZC	
43	65618	1	Plug, 120V30A twist-lock L5-30P male 2-pole	
44	40232	1	Fitting, 90-1.000NPTX.750NPT GV	
--	27613	1	Belt, fan - 405 (ALT)	Engine service part, not shown
--	27614	1	Belt, fan - 405 (CRK)	Engine service part, not shown
--	27615	1	Filter, fuel - 6135HF primary	Engine service part, not shown
--	27616	1	Filter, fuel - 6135HF secondary	Engine service part, not shown
--	27617	1	Filter, oil - 6135HF	Engine service part, not shown
--	27618	1	Filter, air - 405-465 primary	Engine service part, not shown
--	27619	1	Filter, air - 405-465 secondary	Engine service part, not shown

RADIATOR AND LIFT STRUCTURE ASSEMBLY



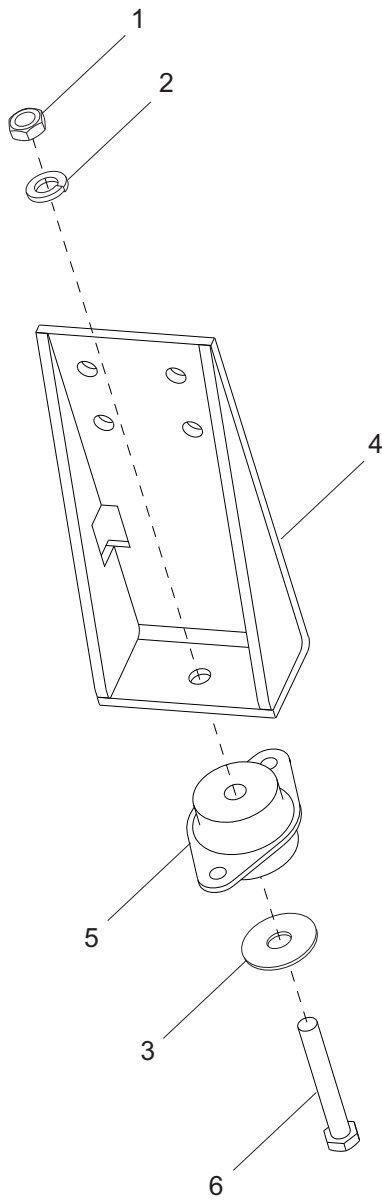
ITEM	PART	QTY	DESCRIPTION	NOTES
1	21111B	1	Weldment, lift frame	
2	61078	12	Screw, .625-11X2.000 flg hex G8 ZB	
3	60521	12	Washer, .625 flat 1.743/.108 ZB STD	
4	60522	8	Washer, .625 split lock ZB	
5	60520	8	Nut, .625-11 hex G8 ZB	
6	60240	4	Nut, .625-11 nytk G5 ZC	
7	21365B	1	Panel, splash	
8	61091	13	Screw, .312-18X1.000 sflg hex G5 ZC	
9	60095	13	Nut, .312-18 sflg ZC case hardened	
10	Page 26	1	Assembly, cooling system	
11	20427B	1	Weldment, fan/belt guard up lft	
12	60028	8	Screw, .312-18X1.000 std hex G5 ZC	
13	60271	8	Washer, .312 split lock ZC	
14	60119	8	Washer, .312 flat .875/.070 ZC	
15	20422B	1	Weldment, fan/belt guard up rht	
16	60175	14	Screw, .250-20X.500 sflg hex G5 ZC	
17	60161	14	Nut, .250-20 sflg G5 ZC	
18	60009	12	Screw, M8-1.25X25 sflg hex G8.8 ZC	
19	60022	12	Insert, M8 threaded engineered fasteners	
20	20428B	1	Guard, fan/belt - lo-lft (405)	
21	20423B	1	Weldment, fan/belt guard lo rht	
22	22419B	1	Bracket, support overflow jug .5 gal - black	
23	19726	1	Clamp, overflow bottle	
24	60523	3	Screw, .250-20X.875 sflg hex ZC case hardened	
25	60119	2	Washer, .312 flat .875/.070 ZC	
26	60161	3	Nut, .250-20 sflg G5 ZC	
27	16143	1	Clamp, tubing - .500	
28	20287	1	Jug, overflow 2 qt (.5 GAL)	
29	19714	1	Cap, overflow bottle	
30	60518	1	Screw, .250-20X1.500 std hex G5 ZC fully thd	
31	60144	1	Nut, .250-20 nytk G5 ZC	
32	19220	1	Hose, overflow	
33	14216	1	Clamp, hose - SAE 004 (.21-.62) miniature	

ENGINE TO SKID ASSEMBLY



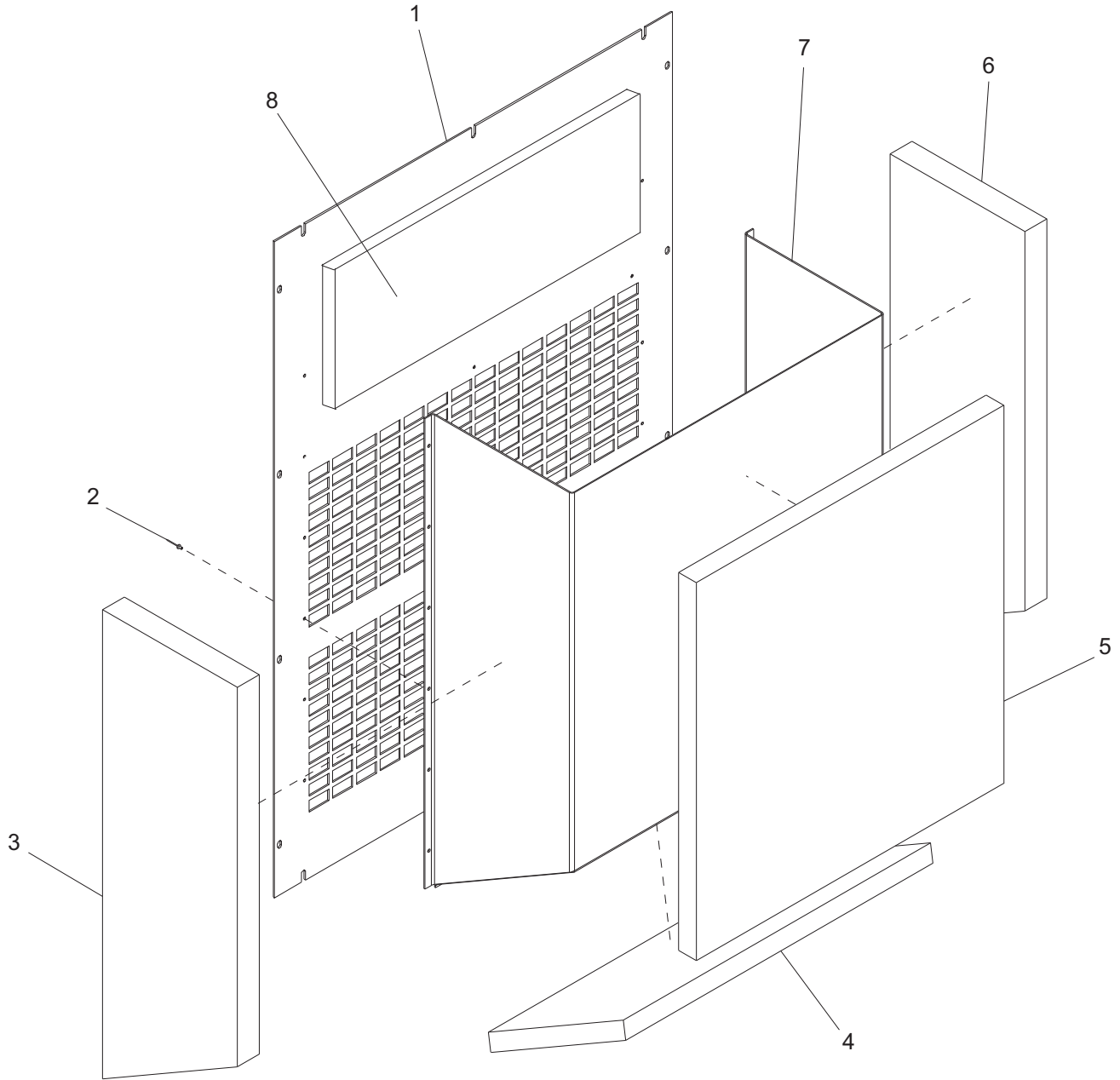
ITEM	PART	QTY	DESCRIPTION	NOTES
1	61078	8	Screw, .625-11x2.00 ser flg G8 ZB	
2	60521	20	Washer, .625 flat 1.743/.108 ZB	
3	60522	8	Washer, .625 split lock ZB	
4	60520	8	Nut, .625-11 hx G8 ZB	
5	20457	2	Battery, 12V,1000CCA wet cell	Top post
6	60161	2	Nut, .250-20 ser flg	
7	21489	1	Battery disconnect switch	
8	60528	2	Screw, .250-20x.625 ser flg hx	
9	61091	2	Screw, .312-18X1.000 ser flg hx	
10	23847B	1	Plate, battery disconnect	
11	60095	2	Nut, .312-18 ser flg G5 case hard	
12	14682	2	Bracket, battery hold-down	
13	14146	4	Bolt, J - .250-20 x 10.00	
14	60090	4	Nut, .250-20 wing	
15	60243	4	Washer, flat .250 USS	
16	21144	1	Cable, battery - 3" 2/0 ga +/- tie 1/2" lug	
17	21163	1	Cable, battery - 18" 2/0 ga black 1/2" lug	
18	21182	1	Cable, battery - 58" 2/0 ga red	
19	60240	6	Nut, .625-11 nytk G5	
20	60180	6	Washer, .625 flat 1.750/.120	
21	61078	6	Screw, .625-11x2.000 flg hex G8 ZB	

ENGINE MOUNT ASSEMBLY



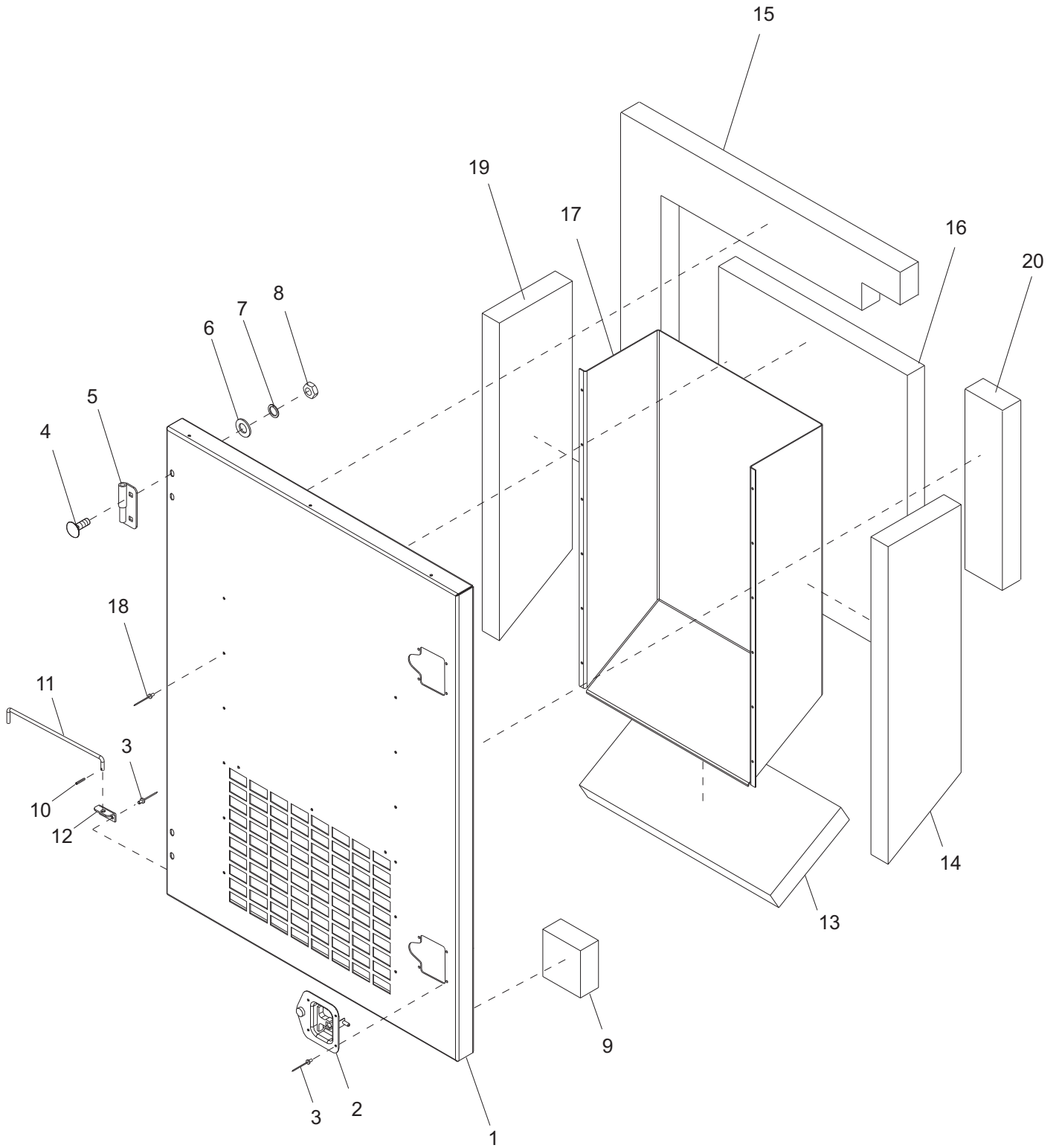
ITEM	PART	QTY	DESCRIPTION	NOTES
1	60469	1	Nut, 1.0-8 hx	
2	60470	1	Washer, split lock 1.0 P/O	
3	21044	1	Washer, snubber	
4	21034B	1	Weldment, engine mount	
5	20994	1	Mount, shock	
6	60468	1	Screw, 1.00-8x6.000 hx hd	

REAR PANEL ASSEMBLY



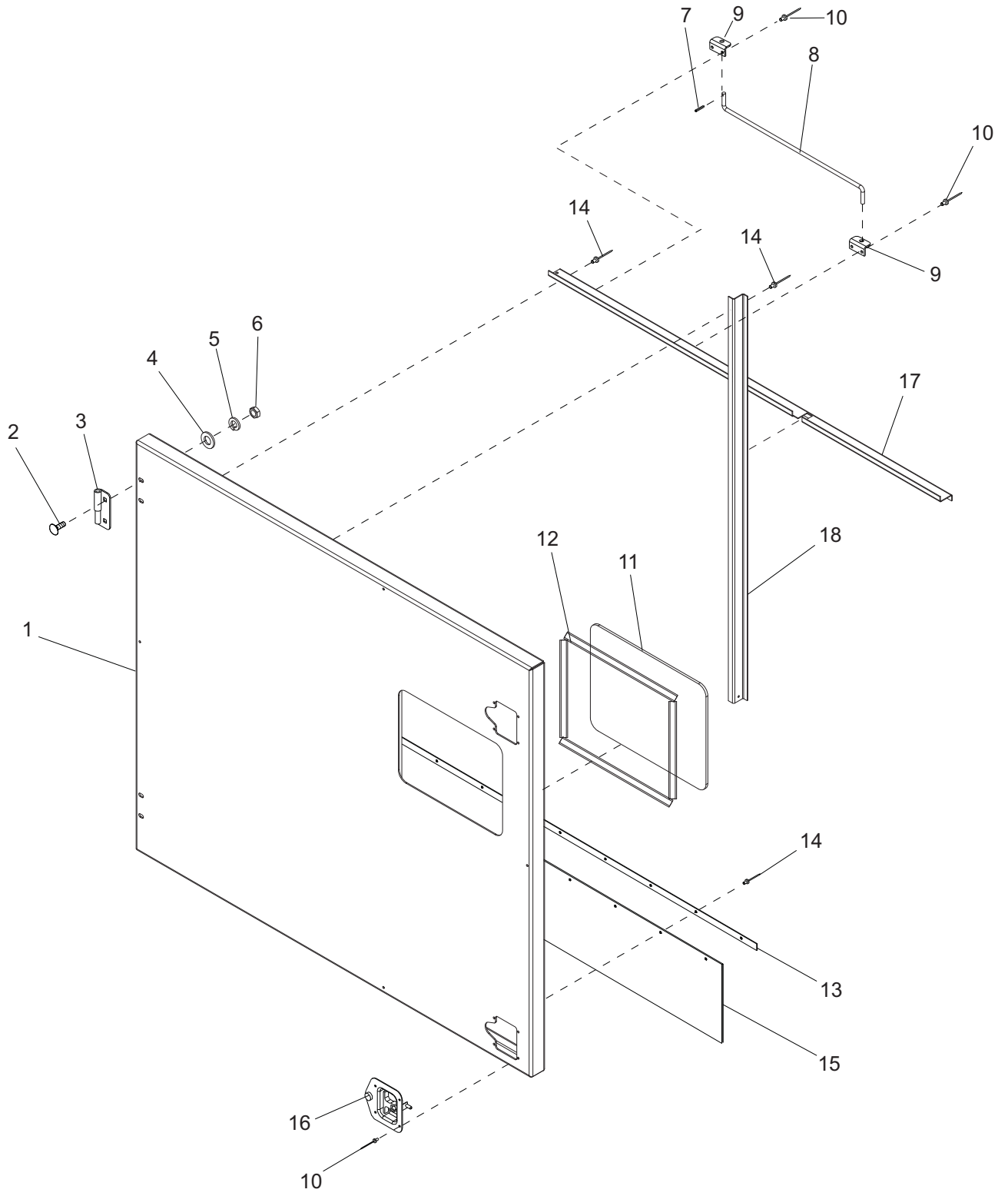
ITEM	PART	QTY	DESCRIPTION	NOTES
1	21180W	1	Panel, rear	
2	60231	17	Rivet, .188 dia x .375 to .500 grip	
3	21602	1	Foam, rear duct - rht	
4	21604	1	Foam, rear duct lower	
5	21601	1	Foam, rear duct face	
6	21603	1	Foam, rear duct - lft	
7	21203W	1	Duct, rear	
8	21605	1	Foam, rear panel upper	
--	Page 4	1	Enclosure panel locations	

FRONT LEFT DOOR ASSEMBLY



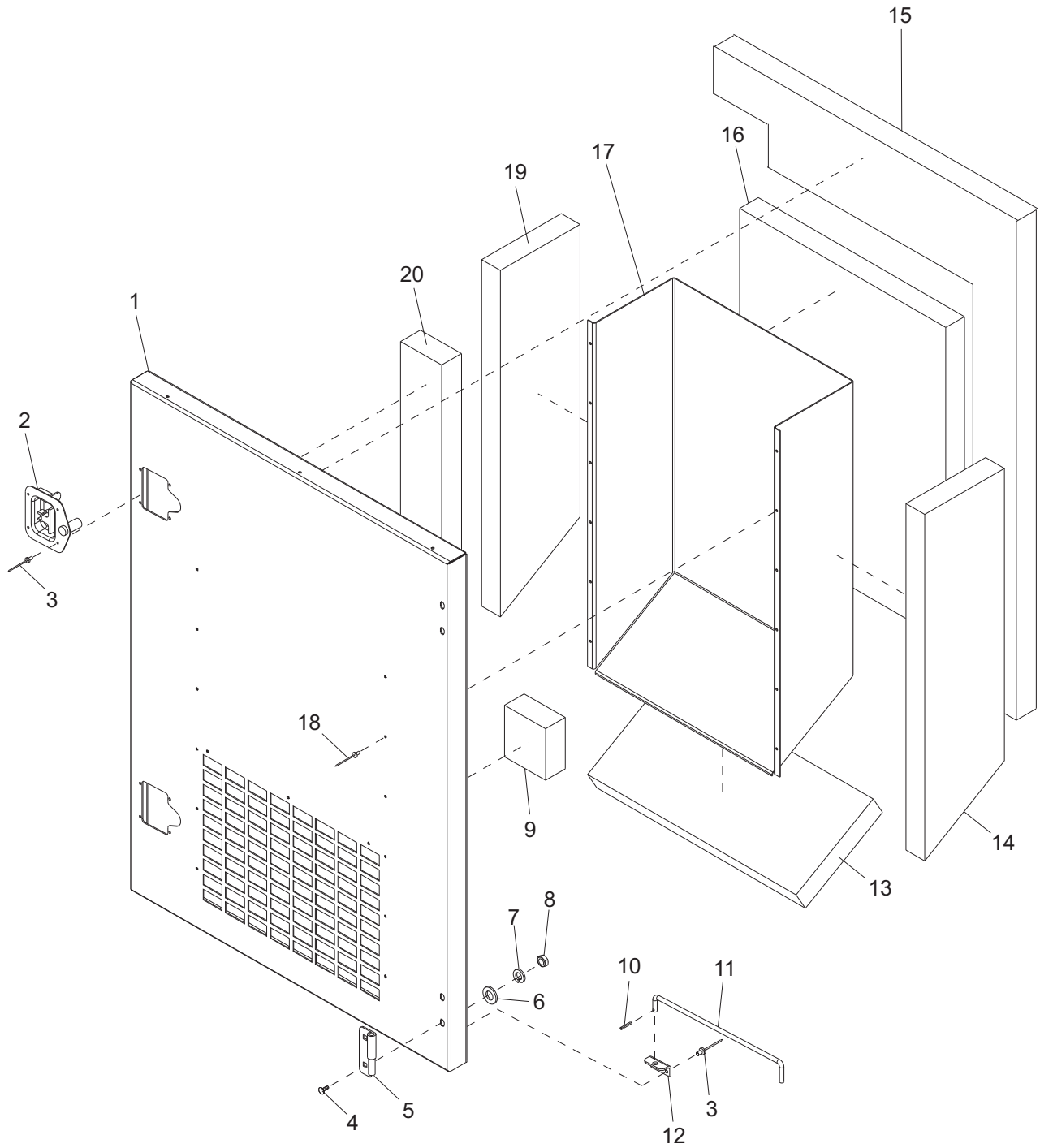
ITEM	PART	QTY	DESCRIPTION	NOTES
1	21117W	1	Door, front	
2	22497	2	Latch, T-handle - left CW lock	
3	60268	10	Rivet, .188 dia x .126 to .250 grip	
4	61066	4	Screw, .312-18x1.00 carr sqr 316 SS	
5	18459	2	Hinge, left (male)	
6	60243	4	Washer, .250 flat .735/.060 USS	
7	60271	4	Washer, .312 split lock	
8	60285	4	Nut, .312-18 hx	
9	21632	1	Foam, panel - door small	
10	60048	1	Pin, roll .125 x .625	
11	18900ZC	1	Rod, door prop	
12	20916Z	1	Bracket, prop rod	
13	21594	1	Foam, sml duct	
14	21595	1	Foam, small duct side	
15	21633	1	Foam, panel - door	
16	21592	1	Foam, small duct	
17	21202W	1	Duct, rear	
18	60231	15	Rivet, .188 dia x .375 to .500 grip	
19	21593	1	Foam, small duct side	
20	21631	1	Foam, panel - door long	
--	Page 4	1	Enclosure panel locations	

CONTROL DOOR ASSEMBLY



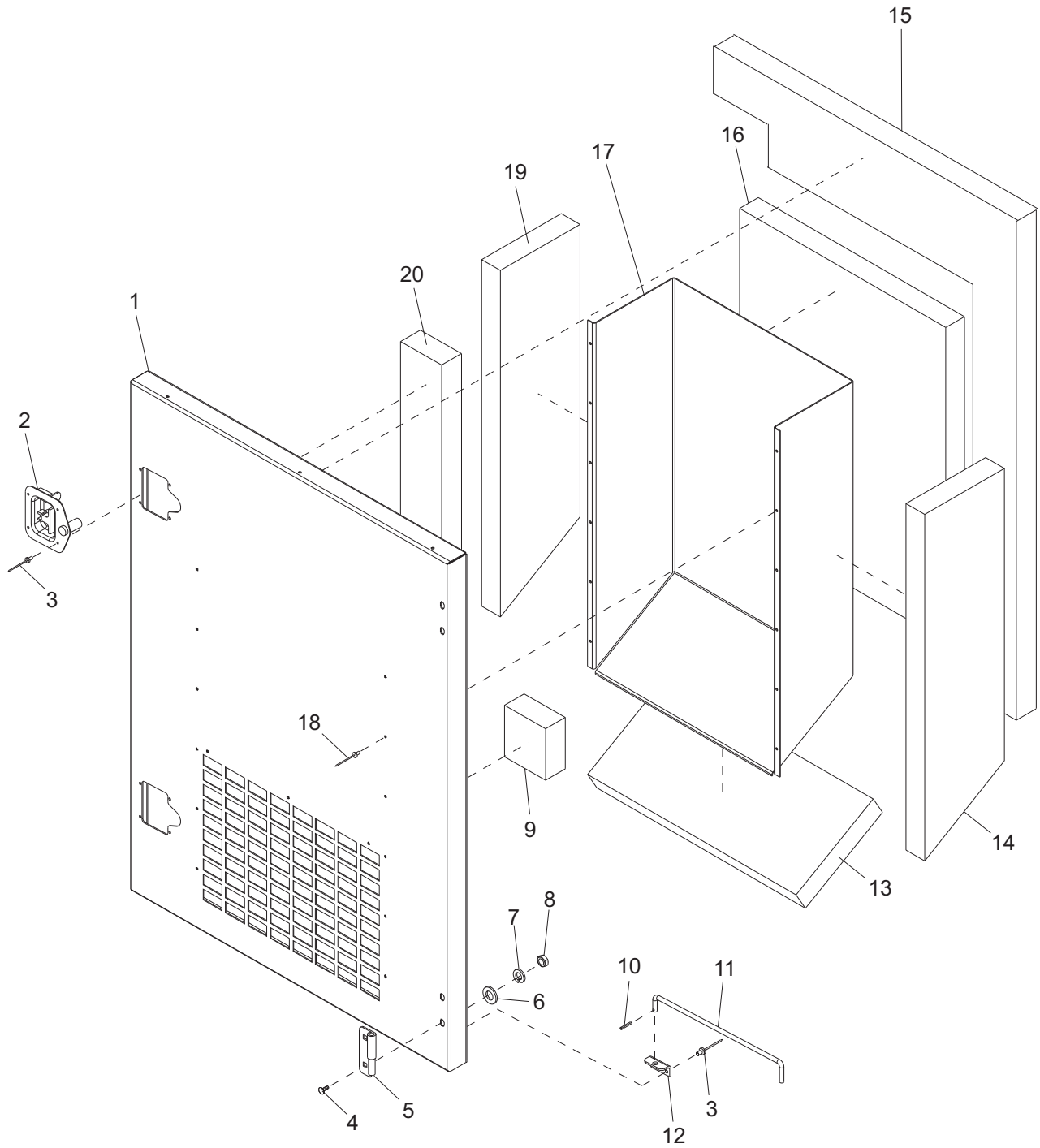
ITEM	PART	QTY	DESCRIPTION	NOTES
1	29045W	1	Door, control - 405/425 white	
2	61066	4	Screw, .312-18x1.00 carr sqr 316 SS	
3	18459	2	Hinge, left (male)	
4	60243	4	Washer, .250 flat .735/.060 USS	
5	60271	4	Washer, .312 split lock	
6	60285	4	Nut, .312-18 hx	
7	60048	1	Pin, roll .125 x .625	
8	21370Z	1	Rod, door prop	
9	20916Z	2	Bracket, prop rod	
10	60268	12	Rivet, .188 dia x .126 to .250 grip	
11	21477	1	Window, control door	
12	50192	4.58ft.	Tape, .500", double sided, type VHB	
13	21498W	1	Stiffener, door flap	
14	60231	13	Rivet, .188 dia x .375 to .500 grip	
15	21497	1	Flap, control door	
16	22497	2	Latch, T-handle - left CW lock	
17	24303W	1	Bracket, long door stiffener	
18	24302W	1	Bracket, short door stiffener	
--	23985	1	Assembly, panel control door	
--	Page 4	1	Enclosure panel locations	

RIGHT FRONT DOOR ASSEMBLY



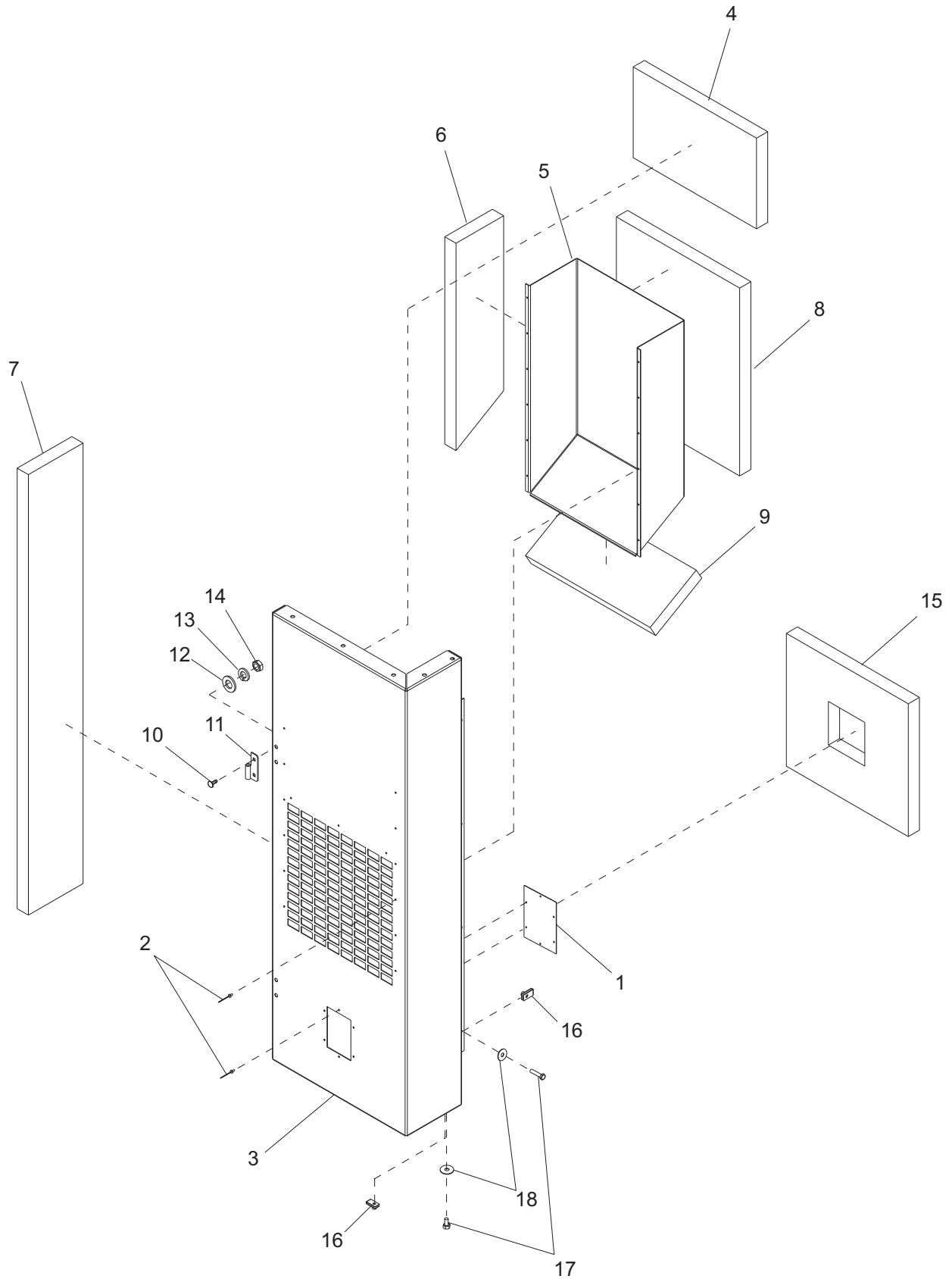
ITEM	PART	QTY	DESCRIPTION	NOTES
1	21116W	1	Door, front	
2	22498	2	Latch, T-handle - right CCW lock	
3	60268	10	Rivet, .188 dia x .126 to .250 grip	
4	61066	4	Screw, .312-18x1.00 carr sqr 316 SS	
5	18461	2	Hinge, right (male)	
6	60243	4	Washer, .250 flat .735/.060 USS	
7	60271	4	Washer, .312 split lock	
8	60285	4	Nut, .312-18 hx	
9	21632	1	Foam, panel - door small	
10	60048	1	Pin, roll .125 x .625	
11	18900ZC	1	Rod, door prop	
12	20916Z	2	Bracket, prop rod	
13	21594	1	Foam, sml duct	
14	21595	1	Foam, small duct side	
15	21630	1	Foam, panel - door	
16	21592	1	Foam, small duct	
17	21202W	1	Duct, rear	
18	60231	15	Rivet, .188 dia x .375 to .500 grip	
19	21593	1	Foam, small duct side	
20	21631	1	Foam, panel - door long	
--	Page 4	1	Enclosure panel locations	

LEFT REAR DOOR ASSEMBLY



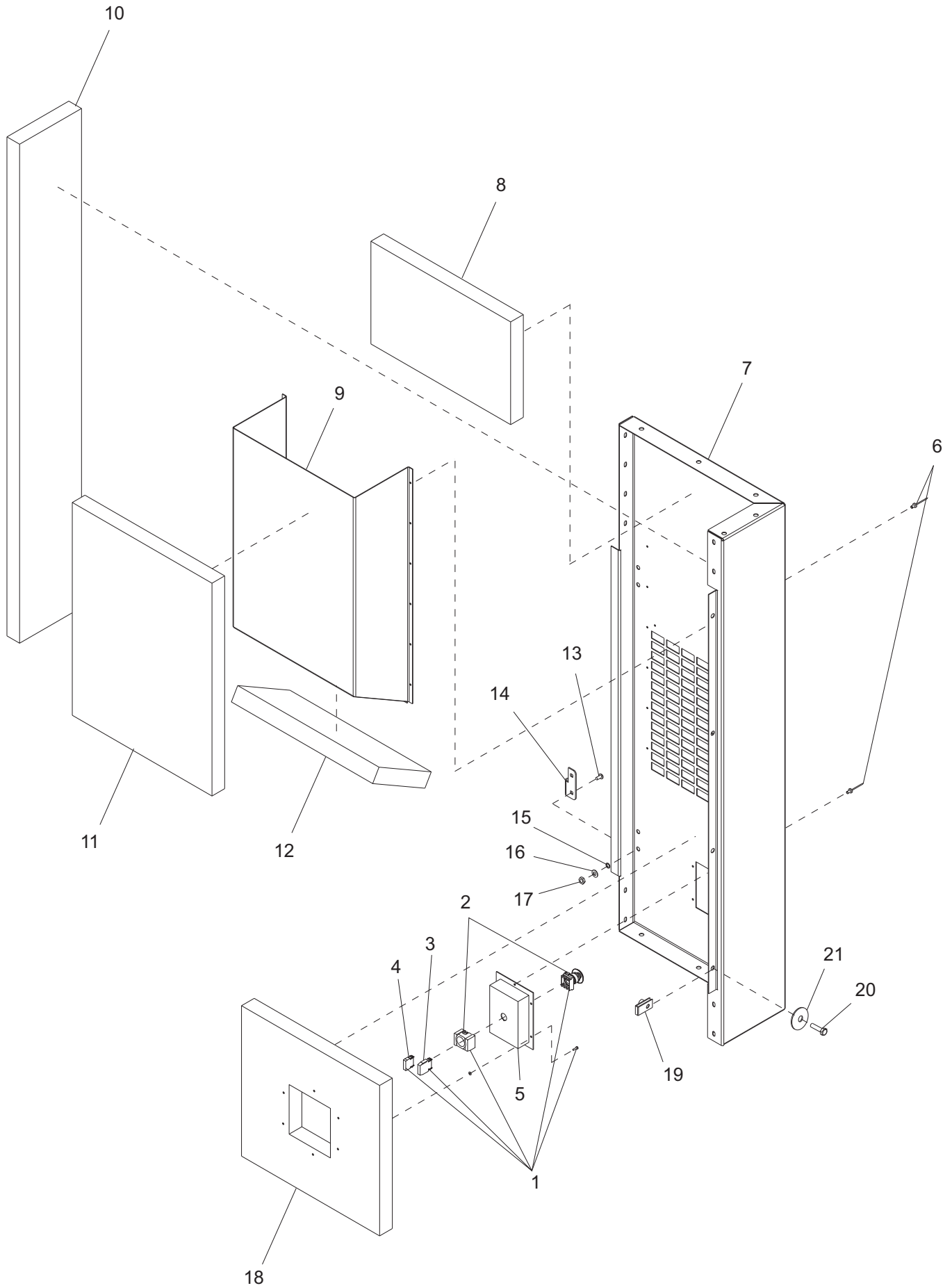
ITEM	PART	QTY	DESCRIPTION	NOTES
1	21116W	1	Door, front	
2	22498	2	Latch, T-handle - right CCW lock	
3	60268	10	Rivet, .188 dia x .126 to .250 grip	
4	61066	4	Screw, .312-18x1.00 carr sqr 316 SS	
5	18461	2	Hinge, right (male)	
6	60243	4	Washer, .250 flat .735/.060 USS	
7	60271	4	Washer, .312 split lock	
8	60285	4	Nut, .312-18 hx	
9	21632	1	Foam, panel - door small	
10	60048	1	Pin, roll .125 x .625	
11	18900ZC	1	Rod, door prop	
12	20916Z	1	Bracket, prop rod	
13	21594	1	Foam, sml duct	
14	21595	1	Foam, small duct side	
15	21630	1	Foam, panel - door	
16	21592	1	Foam, small duct	
17	21202W	1	Duct, rear	
18	60231	15	Rivet, .188 dia x .375 to .500 grip	
19	21593	1	Foam, small duct side	
20	21631	1	Foam, panel - door long	
--	Page 4	1	Enclosure panel locations	

LEFT REAR CORNER ASSEMBLY



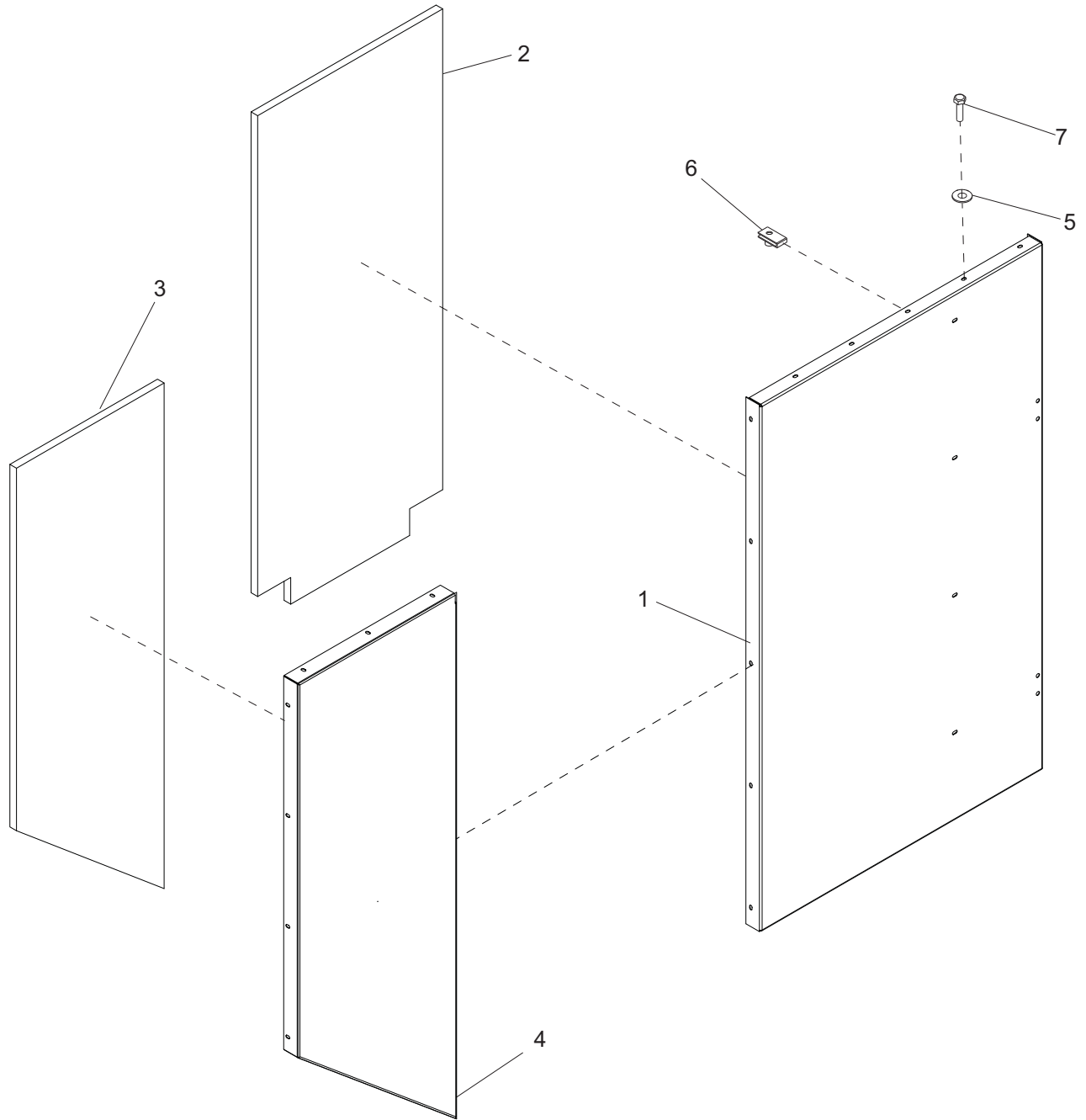
ITEM	PART	QTY	DESCRIPTION	NOTES
1	24142W	1	Plate, E-stop cover	
2	60231	18	Rivet, .188 dia x .375 to .500 grip SB6-8	
3	21170W	1	Panel, left rear side	
4	21589	1	Foam, rear corner upper	
5	21202W	1	Duct, rear	
6	21593	1	Foam, small duct side	
7	21587	1	Foam, rr corner	
8	21592	1	Foam, small duct	
9	21594	1	Foam, small duct	
10	61066	4	Screw, .312-18x1.00 carr sqr 316 SS	
11	18460	2	Hinge, right (female)	
12	60243	4	Washer, .250 flat .735/.060 USS	
13	60271	4	Washer, .312 split lock	
14	60285	4	Nut, .312-18 hx	
15	21588	1	Foam, rear corner lower	
16	60505	9	Nut, U clip - .312 - 18 long type	
17	60507	9	Screw, .312-18x1.00 hx hd SS	
18	60452	9	Washer, Flat .313 x 1.25 bonded rubber	
--	Page 4	1	Enclosure Panel Locations	

RIGHT REAR CORNER ASSEMBLY



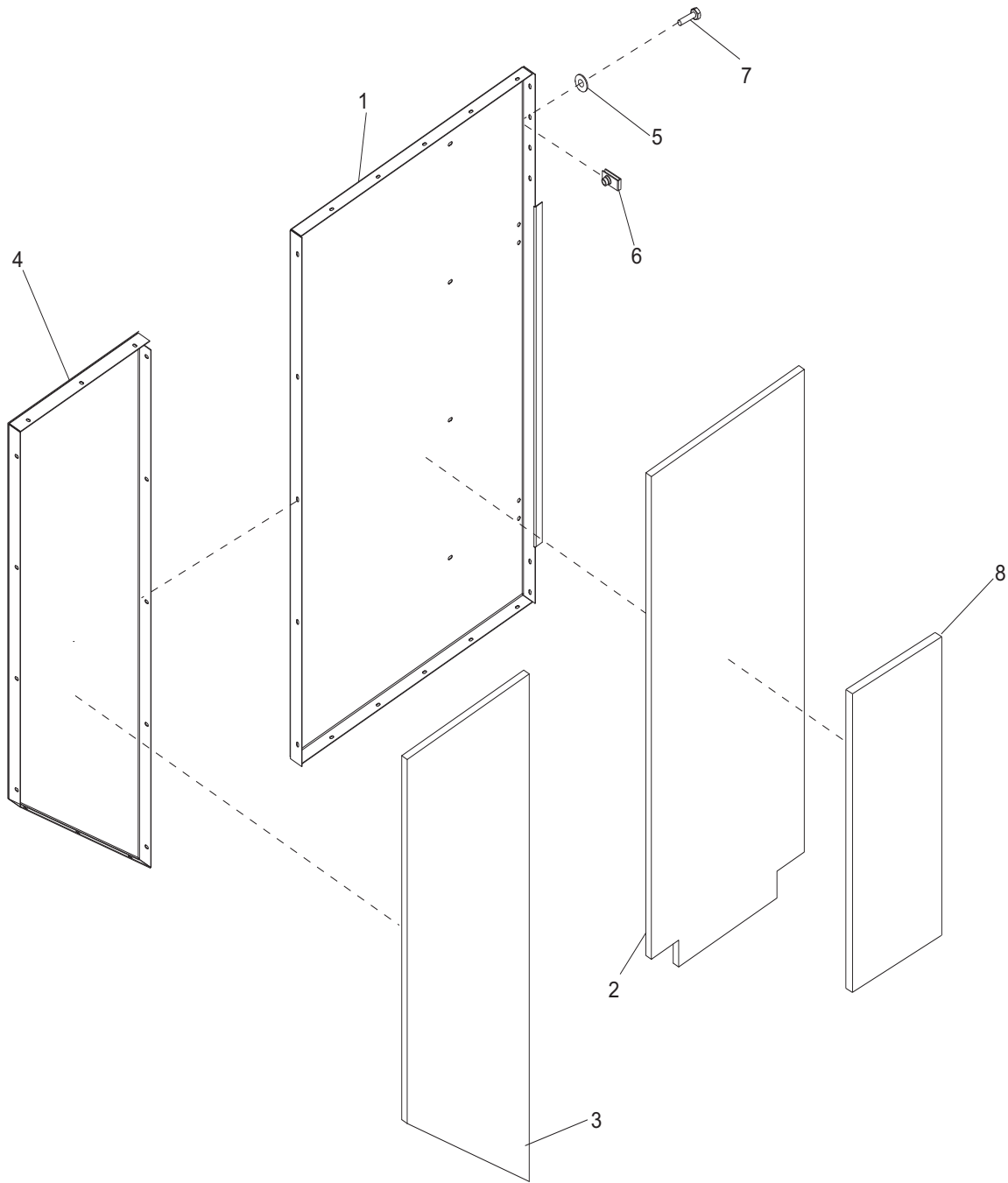
ITEM	PART	QTY	DESCRIPTION	NOTES
1	22550	1	Switch, E-stop, 2NO/1NC	
2	65470	1	Switch, E-stop operator	
3	65584	1	Block, E-stop contactor – N.O / N.O	
4	65580	1	Block, E-stop contactor- N.C.	(low voltage)
5	22816B	1	Panel, emergency stop	
6	60231	21	Rivet, .188 dia x .375 to .500 grip	
7	21073W	1	Panel, right rear side	
8	21589	1	Foam, rear corner upper	
9	21202W	1	Duct, rear	
10	21587	1	Foam, rr corner	
11	21592	1	Foam, small duct	
12	21594	1	Foam, sml duct	
13	61066	4	Screw, .312-18x1.00 carr sqr 316 SS	
14	18462	2	Hinge, left (female)	
15	60243	4	Washer, .250 flat .735/.060 USS	
16	60271	4	Washer, .312 split lock	
17	60285	4	Nut, .312-18 hx	
18	21588	1	Foam, rear corner lower	
19	60505	9	Nut, U clip - .312 - 18 long type	
20	60507	9	Screw, .312-18x1.000 hx hd SS	
21	60452	9	Washer, flat .313 x 1.25 bond rubber	
--	Page 4	1	Enclosure Panel Locations	

LEFT FRONT CORNER ASSEMBLY



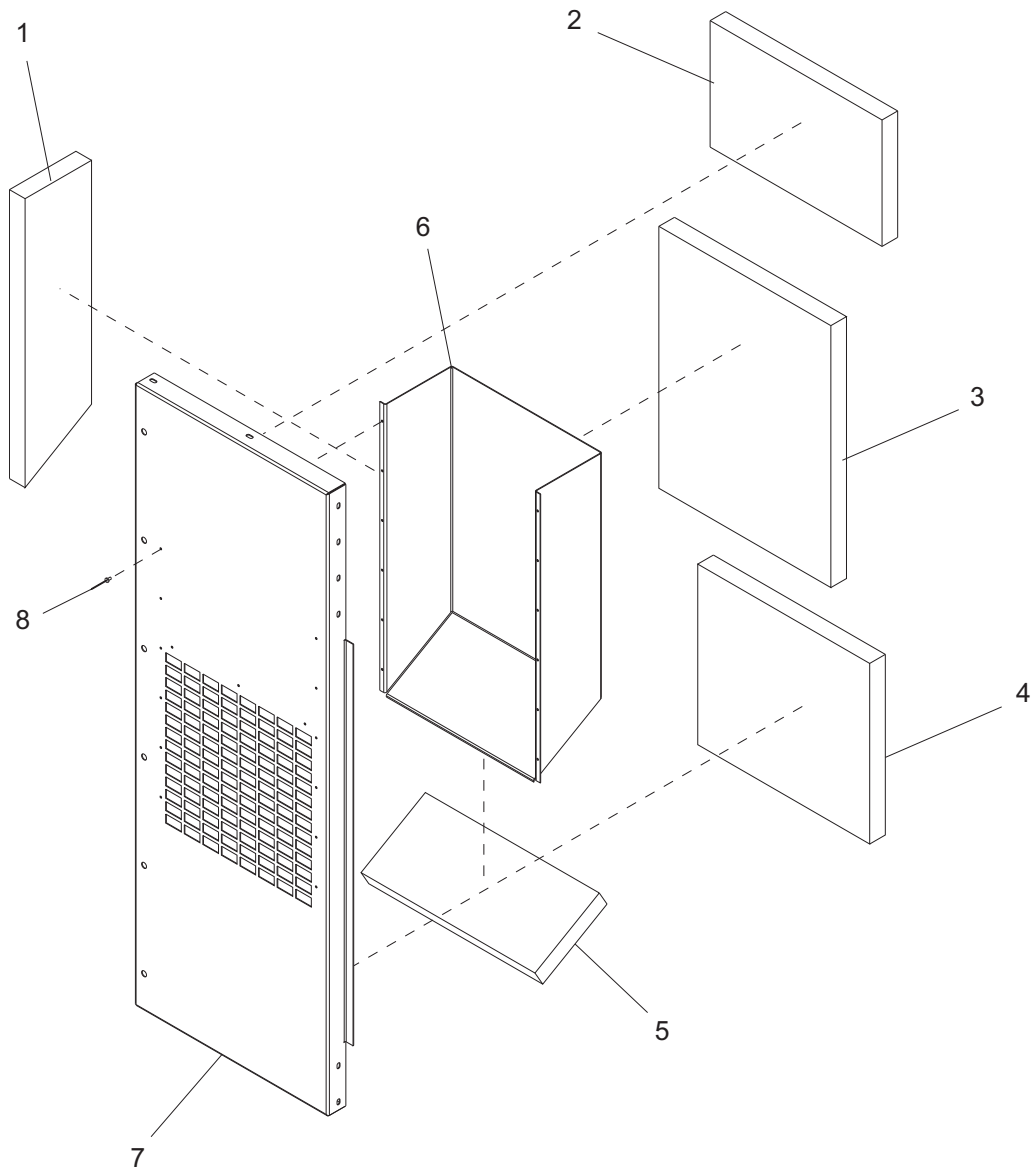
ITEM	PART	QTY	DESCRIPTION	NOTES
1	29739W	1	Panel, left front side	
2	21584	1	Foam, front/lft side	
3	30048	1	Foam, front/lft	
4	29740W	1	Panel, left front	
5	60452	9	Washer, flat .313 x 1.25 bonded rubber	
6	60505	9	Nut, U clip - .312 - 18 long type	
7	60507	9	Screw, .312-18x1.000 hx hd ss	
--	Page 4	1	Enclosure panel locations	

RIGHT FRONT CORNER ASSEMBLY



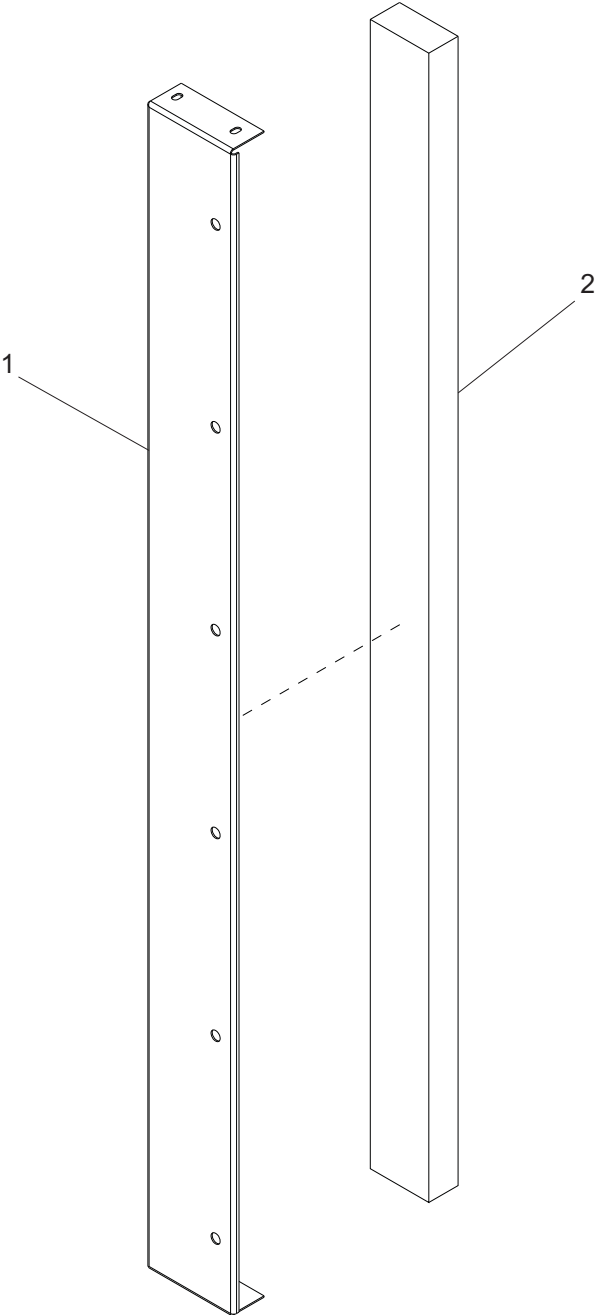
ITEM	PART	QTY	DESCRIPTION	NOTES
1	29741W	1	Panel, right front side	
2	21584	1	Foam, front/rht side	
3	30047	1	Foam, front/lft	
4	29741	1	Panel, right/front	
5	60452	9	Washer, flat .313 x 1.25 bonded rubber	
6	60505	9	Nut, U clip - .312 - 18 long type	
7	60507	9	Screw, .312-18x1.000 hx hd ss	
8	27211	1	Insulation, ceramic	
--	Page 4	1	Enclosure panel locations	

CENTER SIDE PANEL ASSEMBLY



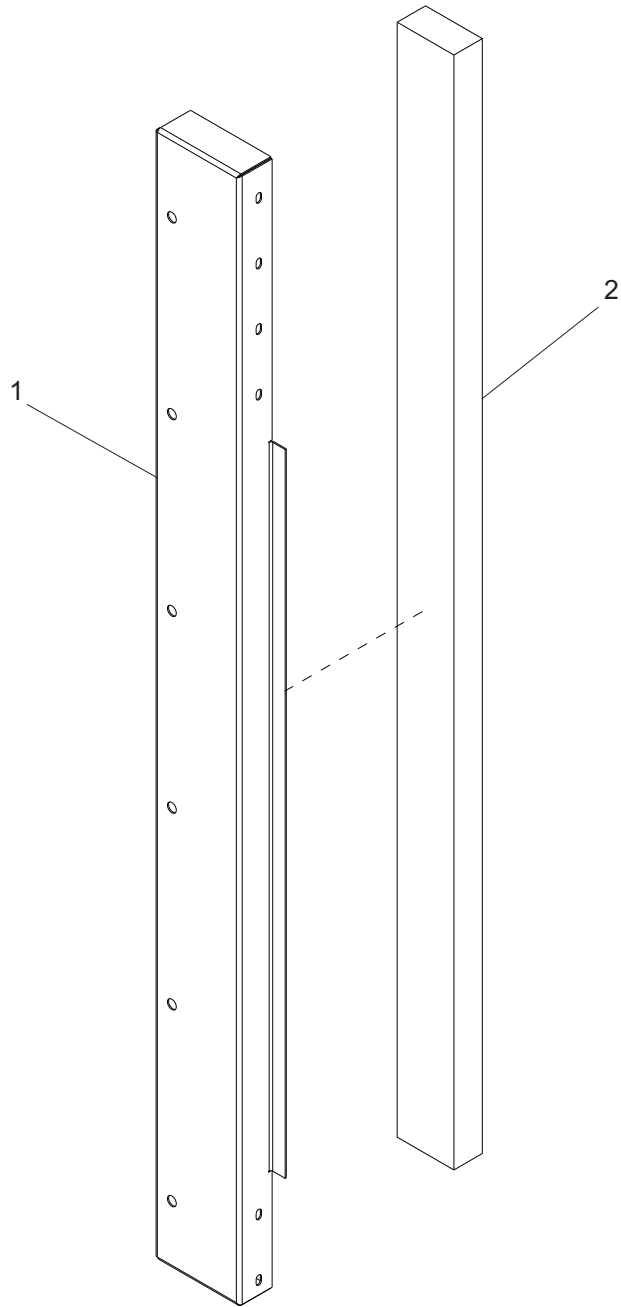
ITEM	PART	QTY	DESCRIPTION	NOTES
1	21593	1	Foam, small duct side	
2	21607	1	Foam, lft rr center - top	
3	21592	1	Foam, small duct	
4	21608	1	Foam, lft rr center - bottom	
5	21594	1	Foam, sml duct	
6	21202W	1	Duct, rear	
7	21171W	1	Panel, small	
8	60231	15	Rivet, .188 dia x .375 to .500 grip	
--	Page 4	1	Enclosure panel locations	

RIGHT REAR CENTER PANEL ASSEMBLY



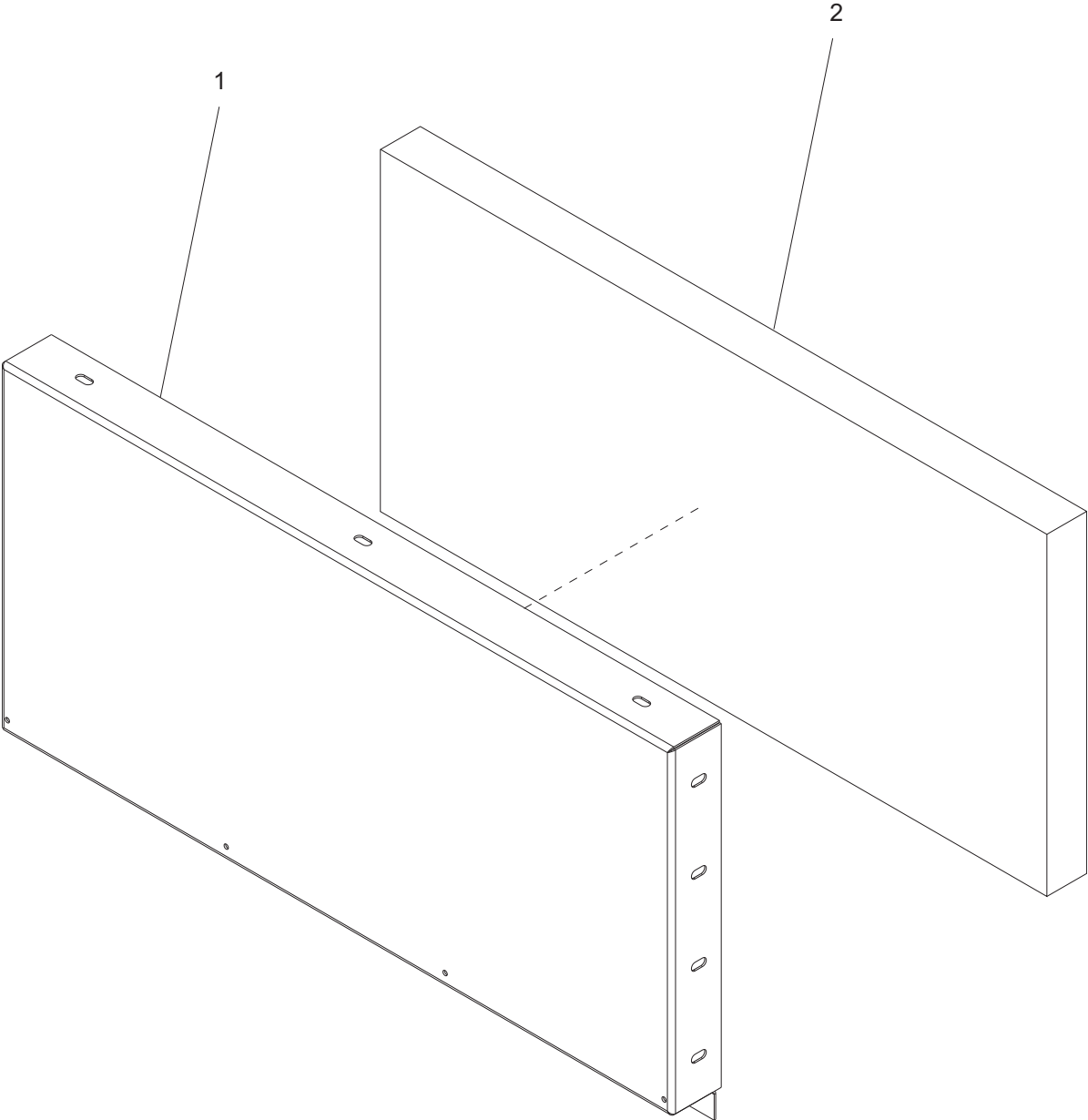
ITEM	PART	QTY	DESCRIPTION	NOTES
1	21168W	1	Panel, small	
2	21611	1	Foam, center panel	
--	Page 4	1	Enclosure panel locations	

RIGHT FRONT CENTER PANEL ASSEMBLY



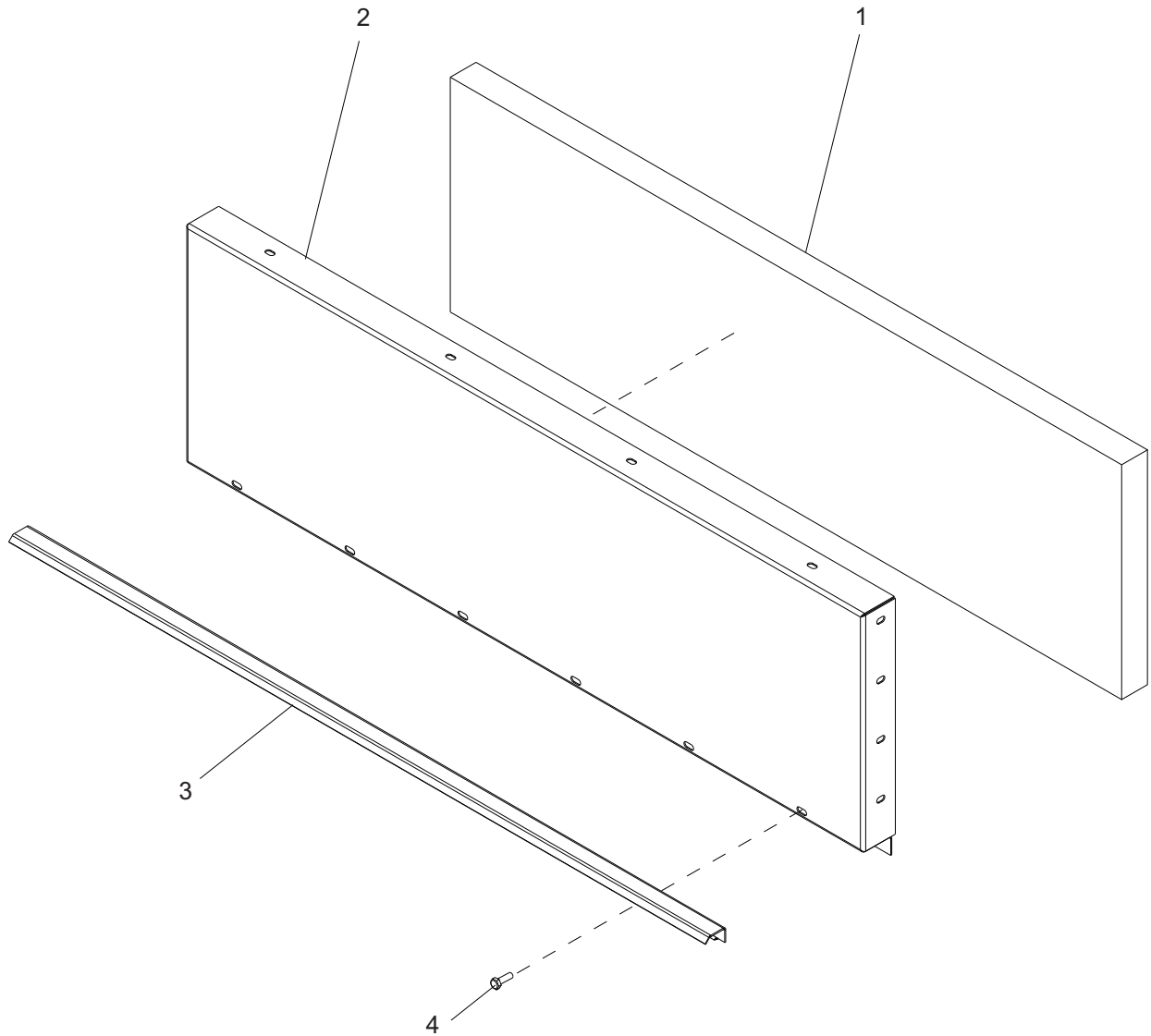
ITEM	PART	QTY	DESCRIPTION	NOTES
1	21143W	1	Panel, center right front	
2	21161	1	Foam, center panel	
--	Page 4	2	Enclosure panel locations	

UPPER RIGHT FRONT PANEL ASSEMBLY



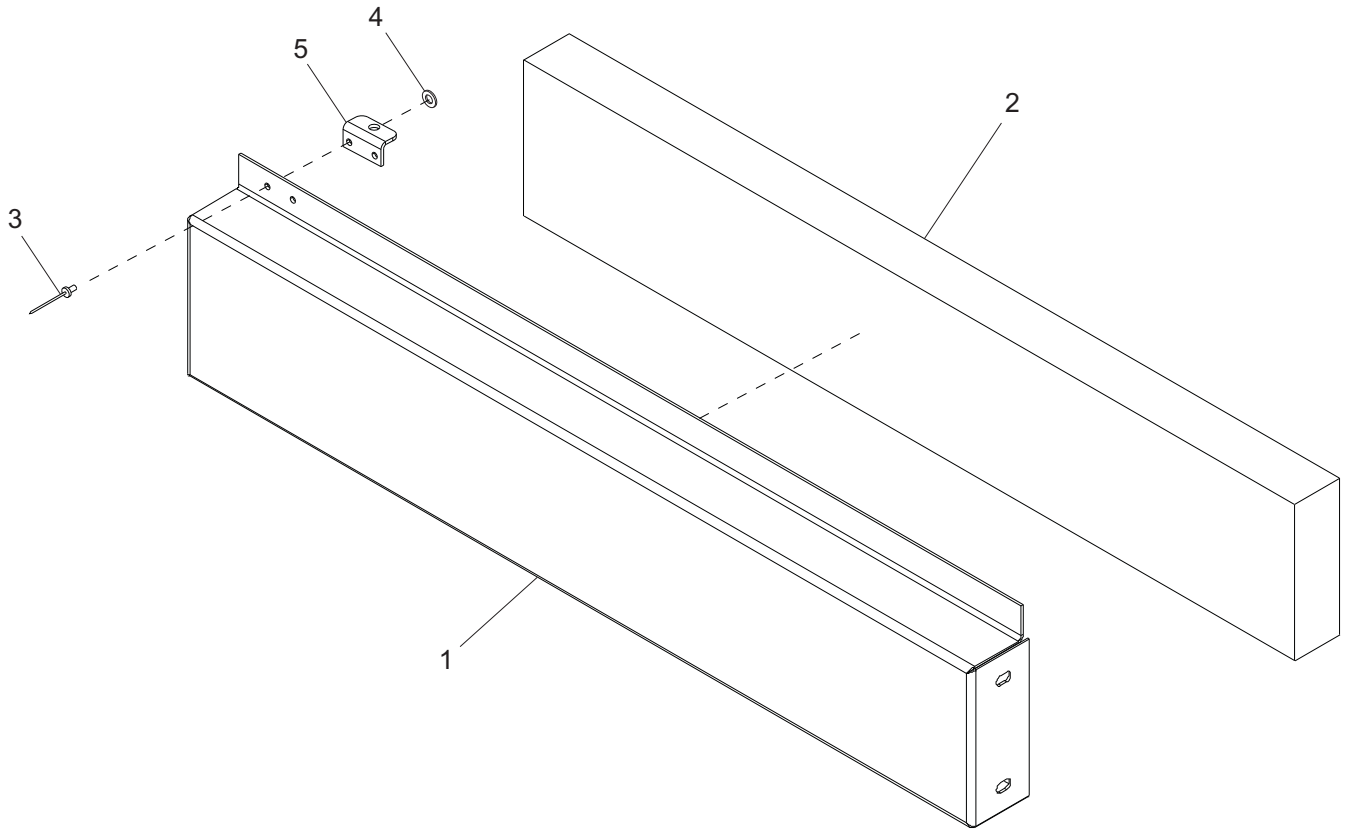
ITEM	PART	QTY	DESCRIPTION	NOTES
1	21110W	1	Panel, top side	
2	21617	1	Foam, mid side panel	
--	Page 4	3	Enclosure panel locations	

UPPER DOOR PANEL ASSEMBLY



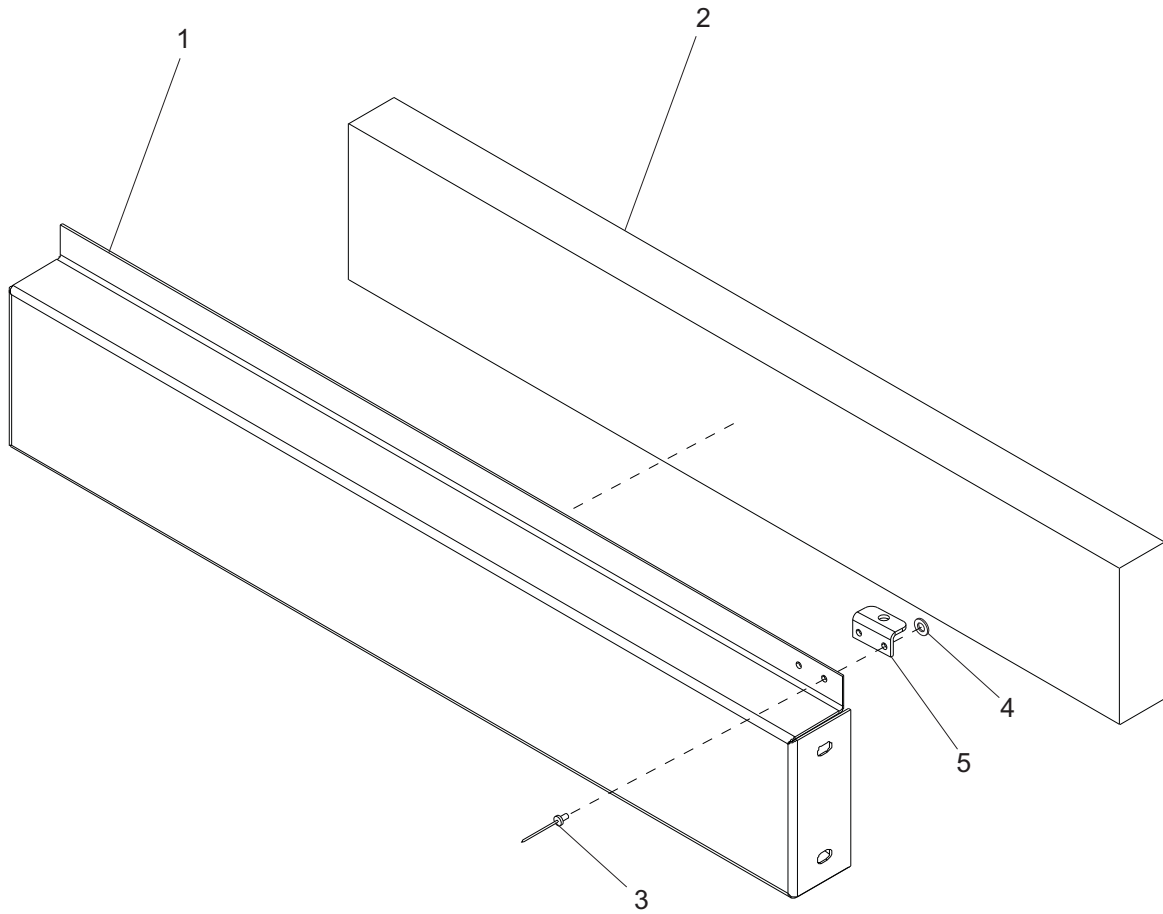
ITEM	PART	QTY	DESCRIPTION	NOTES
1	21618	1	Foam, lg side panel	
2	21276W	1	Panel, top side	
3	21501W	1	Channel, drip - control door	
4	60009	6	Screw, M8-1.25x20 flg G8.8 case hard	
--	Page 4	1	Enclosure panel locations	

LOWER LEFT FRONT PANEL ASSEMBLY



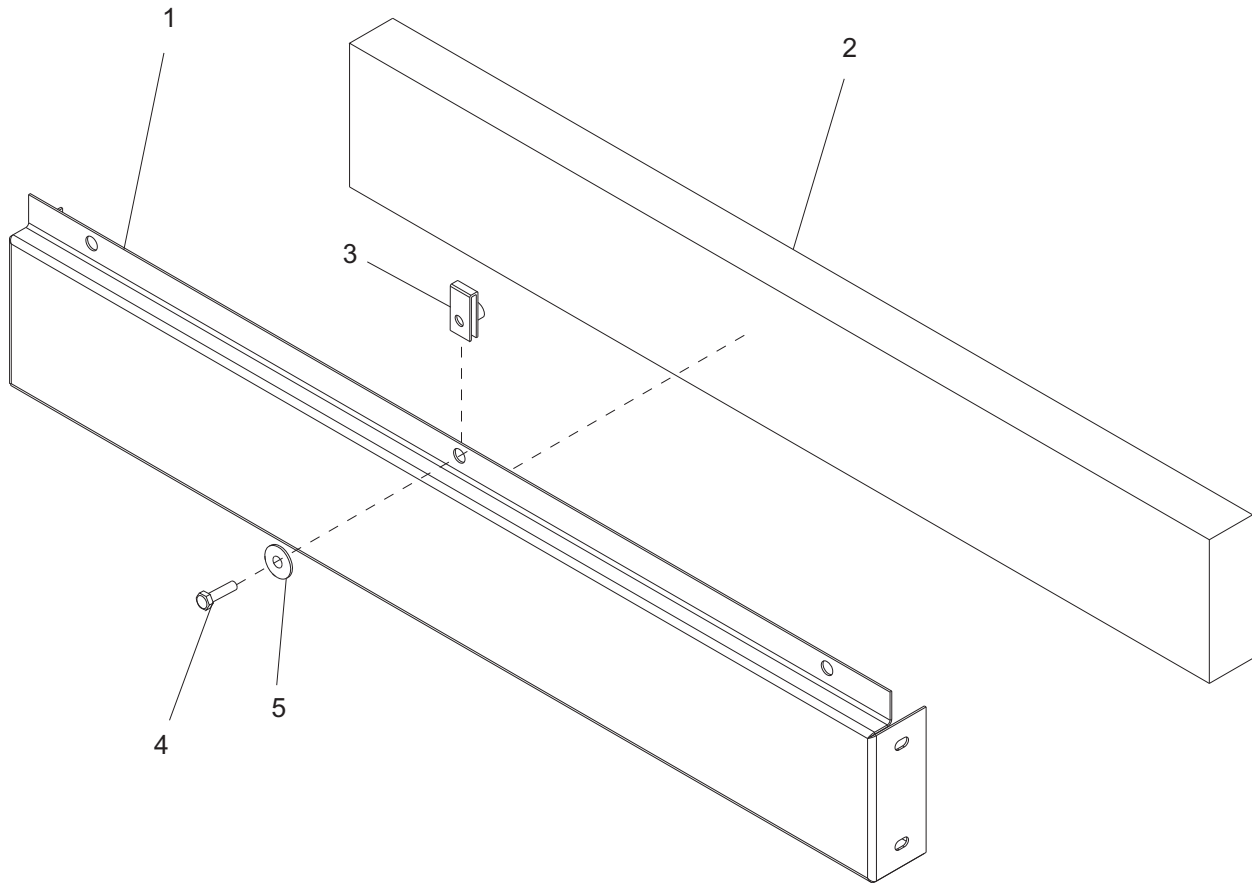
ITEM	PART	QTY	DESCRIPTION	NOTES
1	21145W	1	Panel, small	
2	21616	1	Foam, sml side panel	
3	60268	2	Rivet, .188 dia x .126 to .250 grip	
4	60237	2	Washer, #10 flat .495/.036 SAE	
5	20916	1	Bracket, prop rod	
--	Page 4	1	Enclosure panel locations	

LOWER LEFT REAR PANEL ASSEMBLY



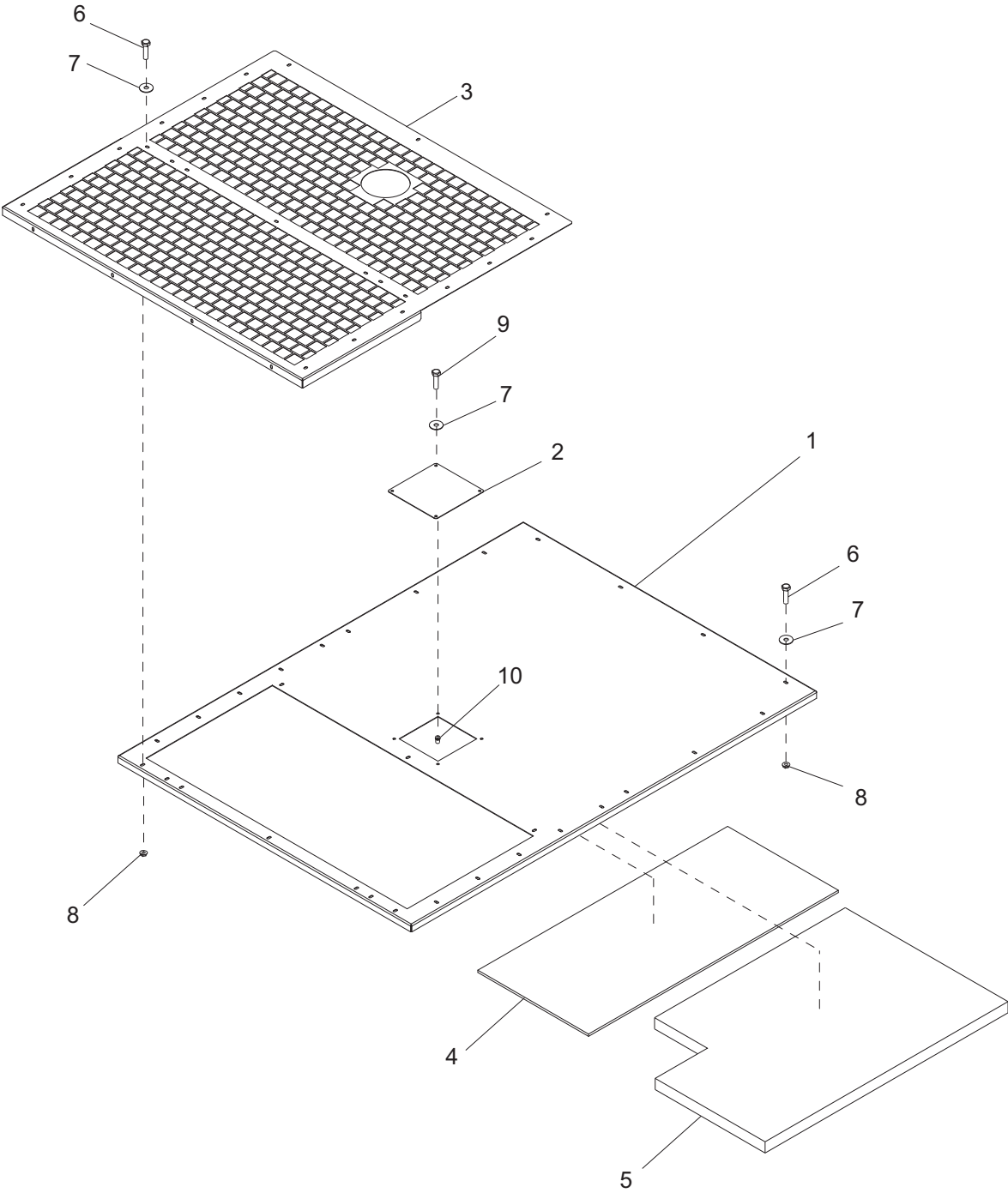
ITEM	PART	QTY	DESCRIPTION	NOTES
1	21145W	1	Panel, small	
2	21616	1	Foam, sml side panel	
3	60268	2	Rivet, .188 dia x .126 to .250 grip	
4	60237	2	Washer, #10 flat .495/.036 SAE	
5	20916	1	Bracket, prop rod	
--	Page 4	2	Enclosure panel locations	

END PANEL ASSEMBLY



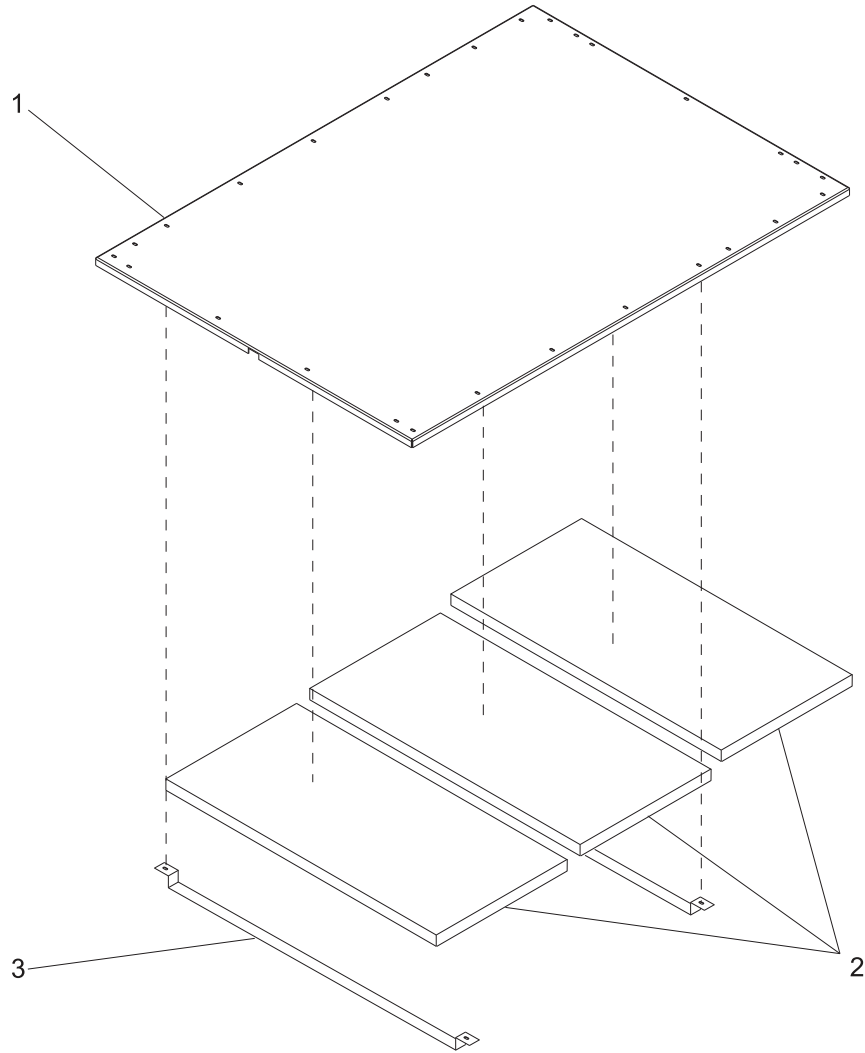
ITEM	PART	QTY	DESCRIPTION	NOTES
1	21087W	1	Panel, small	
2	21620	1	Foam, frt/rr panel	
3	60505	3	Nut, U clip - .312 - 18 long type	
4	60507	3	Screw, .312-18x1.000 hx hd ss	
5	60452	3	Washer, flat .313x1.25 bond rubber	
--	Page 4	4	Enclosure panel locations	

FRONT ROOF PANEL ASSEMBLY



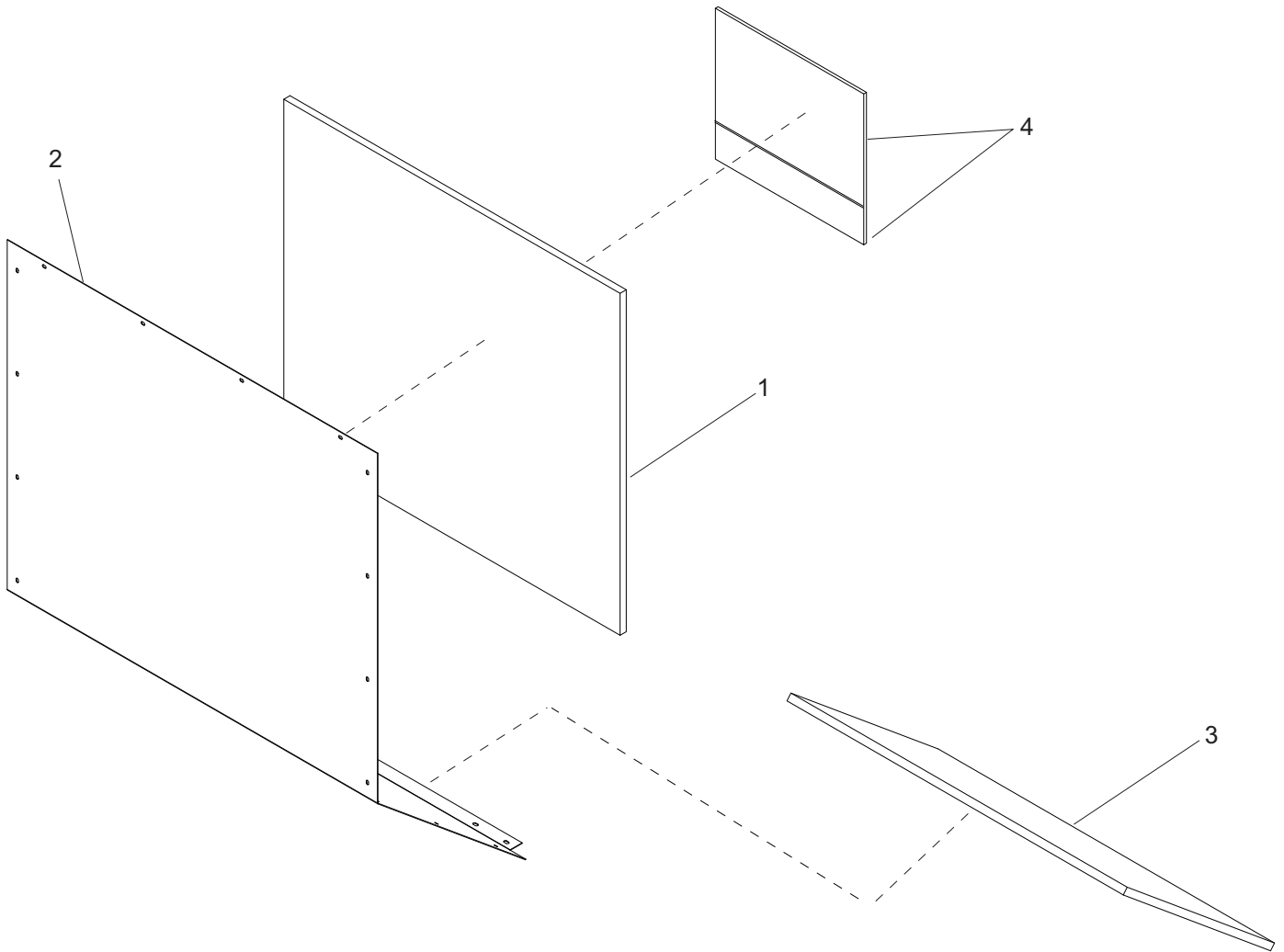
ITEM	PART	QTY	DESCRIPTION	NOTES
1	21141W	1	Panel, roof front	
2	25053W	1	Panel, back access	
3	29746	1	Panel, exhaust grate	
4	27211	1	Insulation, ceramic roof	
5	21623	1	Foam, roof frt/lg	
6	60507	30	Screw, .312-18x1.000 hx hd ss	
7	60452	30	Washer, flat .313x1.125 bond rubber ss	
8	60095	30	Nut, .312-18 hx ser flg	
9	60261	4	Screw, M6x1.0x20 hx hd ss	
10	60023	4	Insert, M6 threaded	
--	Page 4	1	Enclosure panels	

REAR ROOF PANEL ASSEMBLY



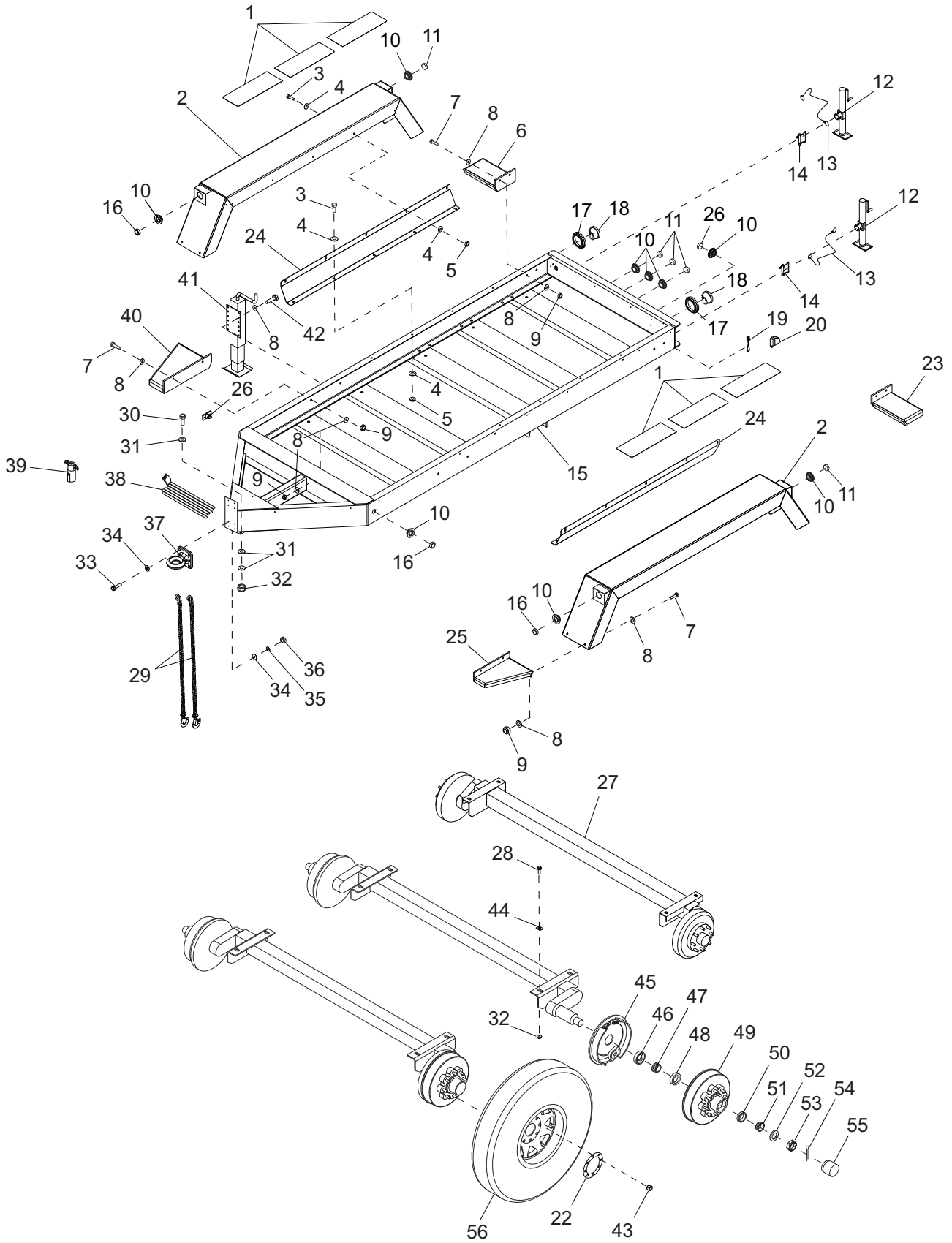
ITEM	PART	QTY	DESCRIPTION	NOTES
1	21142W	1	Panel, roof - rear	
2	21625	3	Foam, roof rr	
3	21509B	2	Support, roof foam	
--	Page 4	1	Enclosure panel locations	

FRONT PANEL ASSEMBLY



ITEM	PART	QTY	DESCRIPTION	NOTES
1	30049	1	Foam, front panel upper	
2	29743W	1	Panel, front	
3	30050	1	Foam, front panel lower	
4	23982	1 1/3	Insulation, ceramic	
--	Page 4	1	Enclosure panel locations	

TRAILER ASSEMBLY



ITEM	PART	QTY	DESCRIPTION	NOTES
1	22398	6	Pad, slip resistant 10.00x28.00	
2	24107B	2	Weldment, fender	
3	60352	20	Screw, .375-16x1.250 std hex	
4	60386	40	Washer, .375 flat .993/.064	
5	60358	20	Nut, .375-16 nytk G5	
6	22358B	1	Weldment, rear step RH	
7	60481	16	Screw, .500-13x1.750 std hex	
8	60416	40	Washer, .500 flat 1.375/.090 USS	
9	60307	20	Nut, .500-13 nytk	
10	66394	12	Grommet, 4.5"	
11	66397	7	Light, clearance - 2.0" red	
12	41133	2	Jack, side wind 2000# tube mount	
13	12647	2	Cable, tether - jack pin	
14	23256	2	Pin, jack - 2000# tube MTD	
15	49616B	1	Weldment, trailer frame	
16	66396	7	Light, clearance - 2.0" amber	
17	10221	2	Grommet, 4.5"	
18	10220	2	Light, 4.0" red tail/turn	
19	10226	1	Plug, 2 wire, license light	
20	65605	1	Light, license plate - 12V	
21	65449	1	Light, stop/turn/tail-wtrproof w/lp light	
22	24101	6	Ring, retaining - lug nut (8 ON 6.5)	
23	22357B	1	Weldment, rear step LH	
24	24094B	2	Fender shield - black	
25	22359B	1	Weldment, front step LH	
26	66395	1	Light, utility 2.0"	
27	24071	3	Axle, 8000# electric	
28	60994	12	Screw, .625-11x1.500 flg hex G8 ZB	
29	20159	2	Chain, trailer safety	
30	60467	2	Screw, .625-11x2.00 std hex G8 ZY	
31	60521	6	Washer, .625 flat 1.743/.108 ZB std	
32	60240	14	Nut, .625-11 Nylk G5	
33	60854	4	Screw, .750-10x3.500 std hex G8 lb	
34	60081	8	Washer, M20 flat lb DIN125	
35	60384	4	Washer, .750 split lock	
36	60249	4	Nut, .750-10 Hex G8	
37	24081	1	Ring, 3" draw bar - sq mount	
38	65790	1	Harness, trailer	
39	65593	1	Adapter, trailer-4pin and 2pin elec	
40	22360B	1	Weldment, front step RH	
41	24084B	1	Weldment, 12000 lb top wind jack	
42	60484	4	Screw, .500-13x2.000 std hex	
43	61056	48	Nut, .625-18 lug G5 wheel	
44	60651	12	Washer, square bevel .625 - galv	
45	26824	6	Brake shoe - LH (8000#)	
-	26825	6	Brake shoe - RH (8000#)	
46	26827	6	Seal - 8000#	
47	26828	6	Inner bearing cone - 8000#	
48	26829	6	Inner bearing cup - 8000#	
49	26826	6	Hub - 8000#	
50	26831	6	Outer bearing cup - 8000#	
51	26830	6	Outer bearing cone - 8000#	
52	26834	6	Spindle washer - 8000#	
53	26832	6	Spindle nut - 8000#	
54	26833	6	Cotter pin - 8000#	
55	26835	6	Grease cap - 8000#	
56	24072	6	Wheel, ST215/75R17.5, 4805#-16PR	
--	19417	1	Breakaway kit	Not shown
--	65837	1	Harness, electric brake	Not shown
--	27451	1	Decal, reflective tape kit - white	Not shown
--	27452	44.53 ft.	Tape, conspicuity - 2" red/white	Not shown

REV: ORG
PART NO: 30255
09.20.11